

# ALP-1300TL 0.6" Wide Aperture Trimless LED Profile

## SPECIFICATION SHEET

JOB NAME: \_\_\_\_\_  
LOCATION: \_\_\_\_\_  
QUOTE/REF#: \_\_\_\_\_



### SPECIFICATIONS

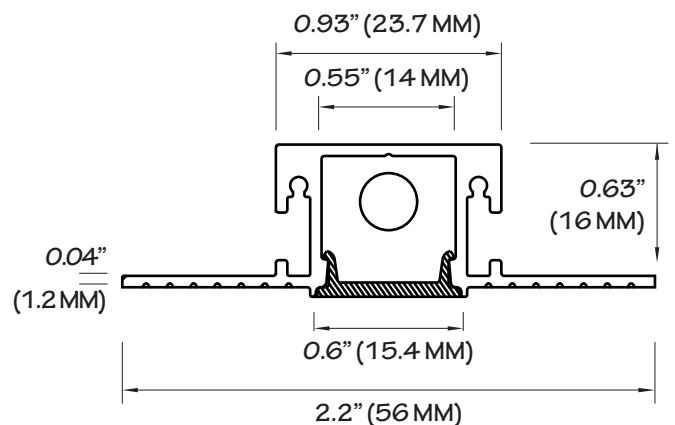
<b>TYPE</b>	Recessed mount
<b>AVAILABLE LENGTHS</b>	48" and 98"
<b>FINISH</b>	Matte White
<b>LENS OPTIONS</b>	Frosted
<b>CHANNEL</b>	ALP-1300TL
<b>LENS</b>	ALP-1300TL-LN
<b>END CAP</b>	ALP-1300TL-EC

The **ALP-1300TL** is an Architectural Grade, LED extrusion profile designed for recessed applications. Made from high quality aluminum, these extrusions provide superior thermal management for higher wattage LED strips prolonging the overall lifespan of of the lighting system. Manufactured with a patented frosted diffuser for maximum lumen output and a wider beam distribution.

### FEATURES

- 0.55" Aperture
- Field cuttable
- Accomodates LED strips up to 0.55" (14mm) wide
- Recessed mount to fit flush onto surface
- Frosted Lens diffuser included
- Matte white powder coated finish
- Durable, anodized aluminum
- Protects LEDs from dust and other elements
- Dissipates heat from LED

### DIMENSIONS



Compatible with LED strips up to 14mm (0.55in) wide.  
LED tape light sold separately.  
Frosted lens diffuser included (1 with every channel)  
End caps sold separately.

### ORDERING CODE

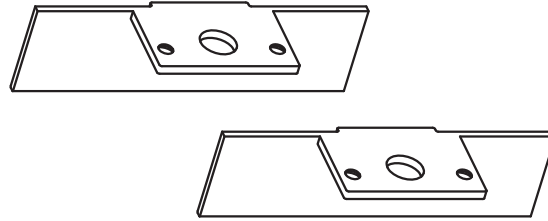
Model	Length	Lens	Light Engine	Finish
ALP-1300TL	48 - 48 in 98 - 98 in	FR - Frosted	See P. 3	WH - White



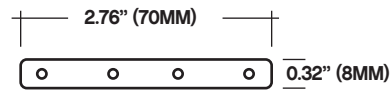
# ALP-1300TL 0.6" Wide Aperture Trimless LED Profile

## COMPATIBLE ACCESSORIES

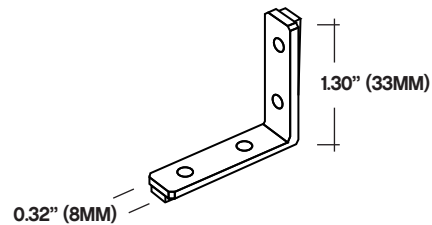
**ALP1300TL-EC** | END CAP  
(sold separately)



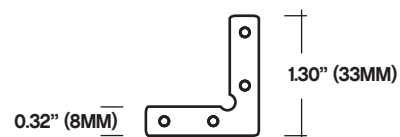
**ALP2000TL-STB** | STRAIGHT CONNECTOR  
(sold separately)



**ALP2000TL-L90** | INTERNAL CONNECTOR  
(sold separately)



**ALP2000TL-INB** | INTERNAL CONNECTOR  
(sold separately)



# ALP-1300TL H0.6" Wide Aperture Trimless LED Profile

## ASSEMBLY

