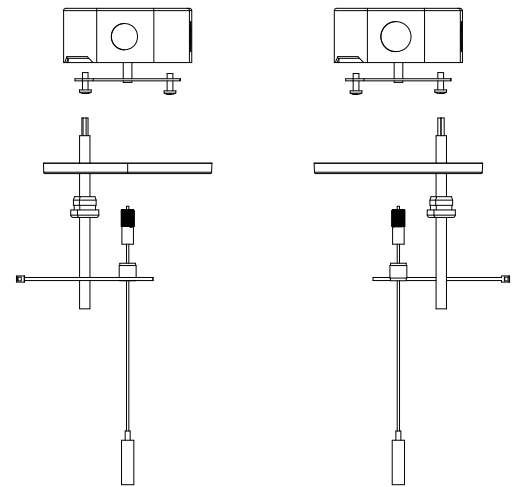
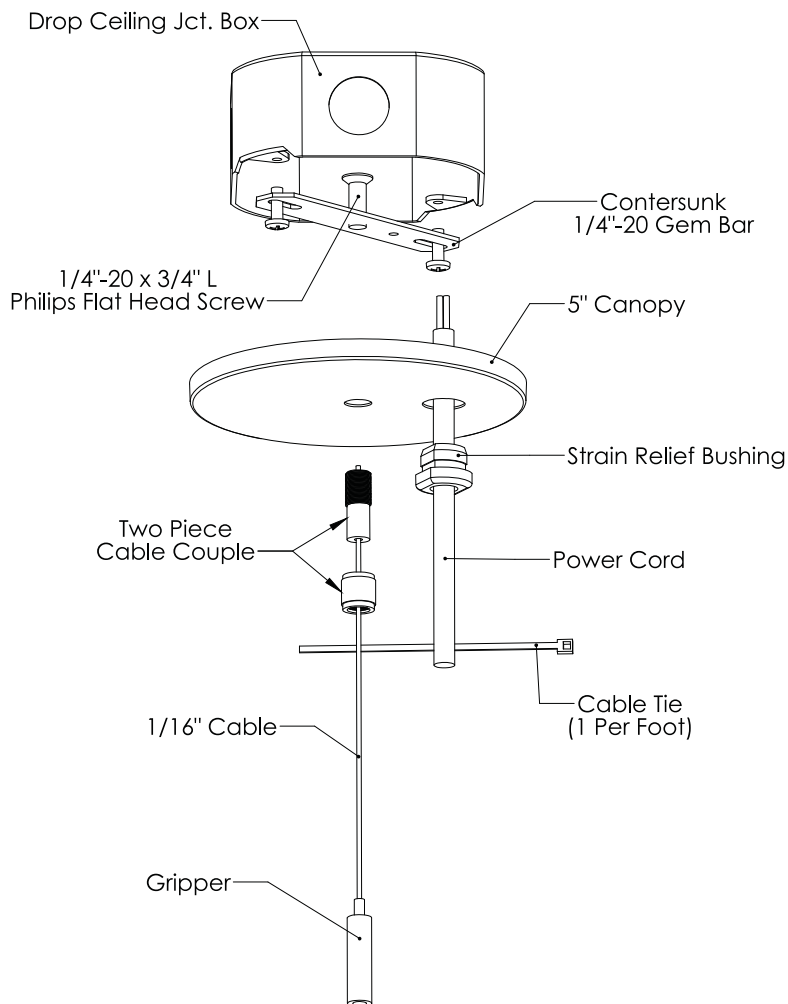


CSL320

Direct/Indirect LED Luminaire

CANOPY INSTALLATION



CSL320

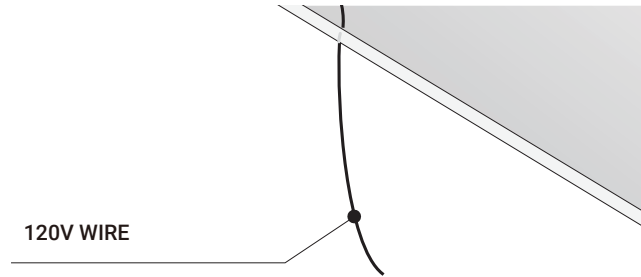
Direct/Indirect LED Luminaire

INSTALLATION GUIDE

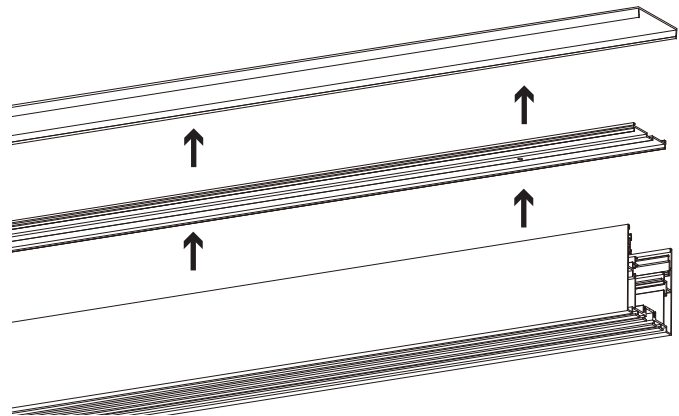


WARNING: RISK OF ELECTRICAL SHOCK
* turn off main power prior to installation
* make sure hands are dry
* never touch exposed wires

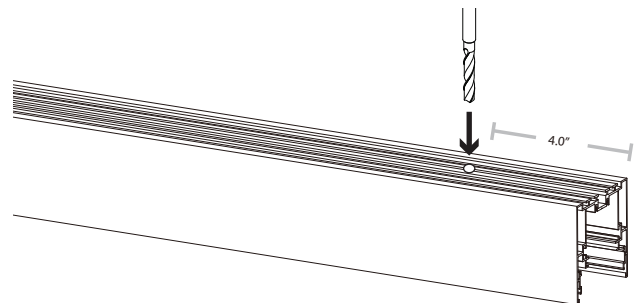
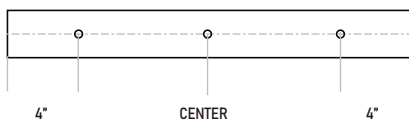
1 RUN 120V WIRE THROUGH CEILING



2 REMOVE DIFFUSER AND LED CARRIER TRAY

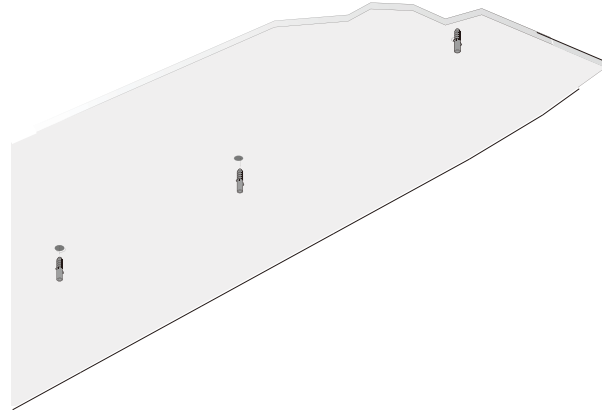


3 DRILL THREE (3) HOLES INTO THE PROFILE REFER TO DIAGRAM FOR HOLE SPACING

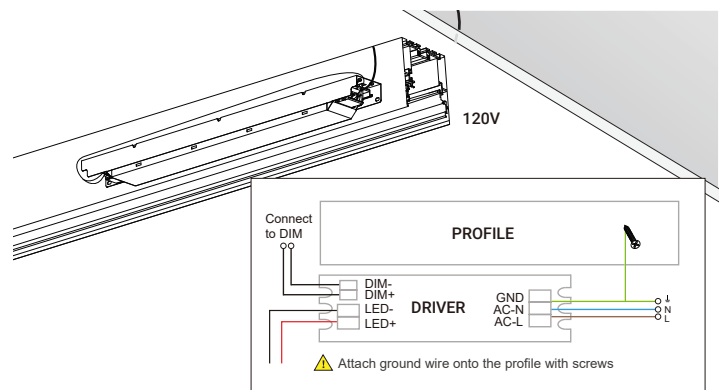


INSTALLATION GUIDE

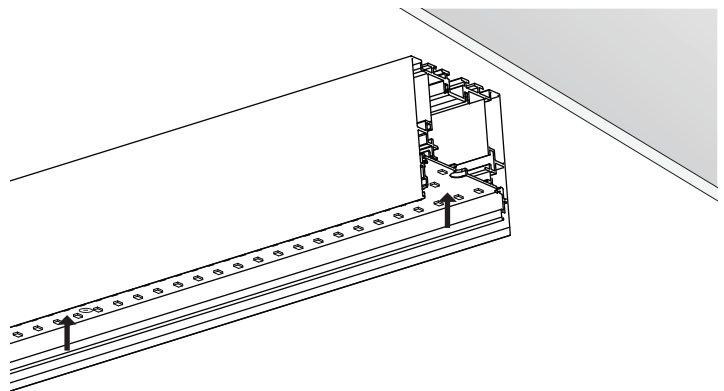
- 4 DRILL THREE (3) HOLES INTO CEILING TO MATCH HOLES ON PROFILE, THEN INSERT ANCHORS INTO THE HOLES.



- 5 RUN WIRES THROUGH HOLES INTO PROFILE, THEN POSITION PROFILE ON THE CEILING. SCREW THE PROFILE SECURELY ONTO THE CEILING, THEN CONNECT WIRE TO POWER SUPPLY.

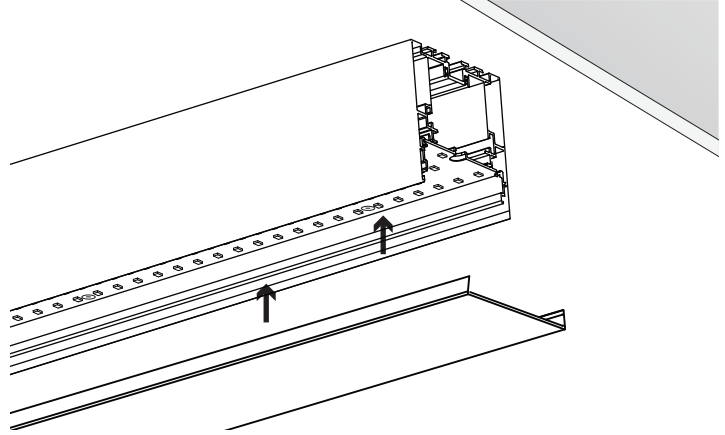


- 6 SNAP CARRIER TRAY WITH LED STRIP ONTO PROFILE



INSTALLATION GUIDE

7 INSTALL DIFFUSER ONTO PROFILE



8 FINISHED

