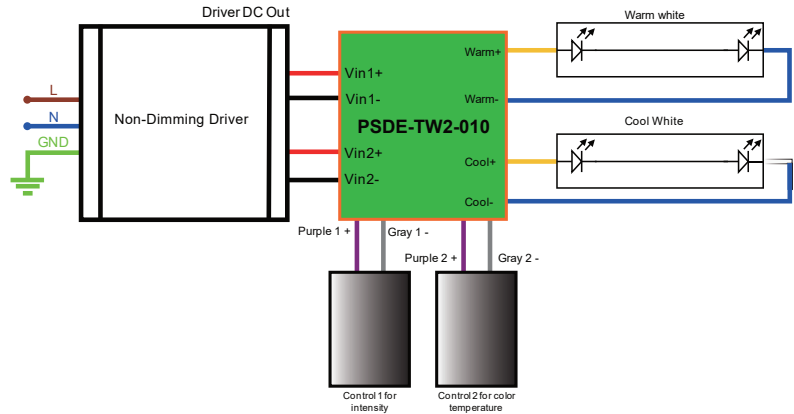
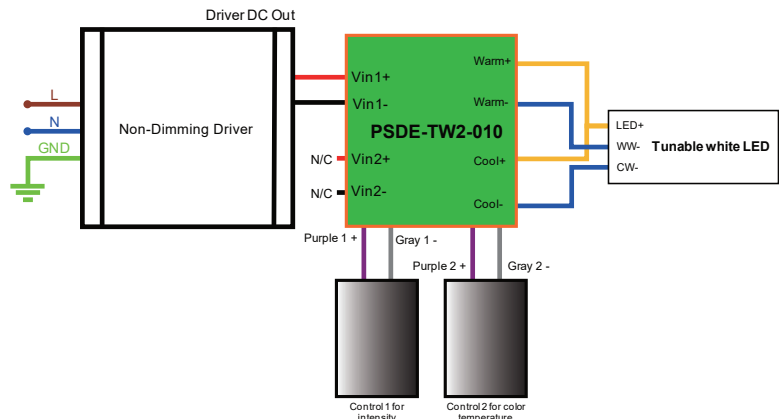


WIRING OPTIONS

Connection Method 1



Connection Method 2



Connection Method 3

