

LSXT450

4.4W Long Run Outdoor Flexible LED Strip

CORE
ARCHITECTURAL
LIGHTING

JOB NAME: _____
LOCATION: _____
QUOTE/REF#: _____




The **LSXT450** series is a dimmable, flexible LED strip capable of delivering up to 473 Lumens of light output per foot. It is cuttable every 3.94" and can reach a maximum of **32 Ft.** in a single, continuous run. This innovative strip delivers consistent brightness with superior color rendering at a very efficient package.

SPECIFICATIONS

| | |
|------------------------------|--------------------------------|
| INPUT VOLTAGE | 24V DC |
| POWER CONSUMPTION | 4.4W per foot |
| LUMEN OUTPUT | 473 Lumens per foot (30K) |
| NO. OF LEDs | 21 LEDs per foot |
| BEAM ANGLE | 120° |
| CRI | 90+ |
| DIMMING | MLV, ELV & TRIAC |
| MAXIMUM RUN LENGTH | 32 Feet |
| CUTTING INCREMENTS | Every 3.94 in |
| IP RATING | IP65 wet location (outdoor) |
| LUMEN MAINTENANCE | 50,000 hrs. |
| OPERATING TEMPERATURE | -4°F(-20°C)~+122°F(+50°C) |
| OPERATING TEMPERATURE | -22°F(-30°C)~+176°F(+80°C) |
| CERTIFICATIONS | UL listed |
| DIMENSIONS | 0.51" x 0.54" (width x height) |

FEATURES

- 4.4W per Foot
- 24V Low-Voltage LED Strip
- Suitable for accent or ambient lighting
- Multiple CCT options available
- Superior COLOR RENDERING INDEX (CRI)
- UL Listed
- Dimmable CORE Lighting Dimming Drivers

| | COLOR TEMP | CRI | LUMEN/FT |
|---|------------|-----|----------|
|  | 2700K | 90+ | 471 |
| | 3000K | 90+ | 473 |
| | 4000K | 90+ | 476 |



LSXT450

4.4W Long Run Outdoor Flexible LED Strip

STANDARD ORDERING CODE

| Model | Color Temp | Length | Voltage |
|---------|--------------|-----------------|----------------|
| LSXT450 | 27K 2700K | 100 100 Ft. | 24 24 Volts |
| | 30K 3000K | 325 325 Ft. | |
| | 40K 4000K | 1'XX per Ft. | |

LSXT-450 4.4W Long Run Series LED Strip

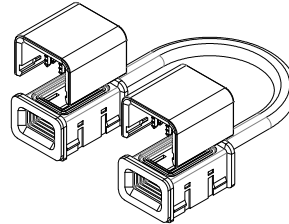
COMPATIBLE ACCESSORIES

LSXT-EX | EXTENSION COUPLING
Easy snap-on connection between two strips.

LSXT-EX3 3" Extension Coupling

LSXT-EX8 8" Extension Coupling

LSXT-EX24 24" Extension Coupling

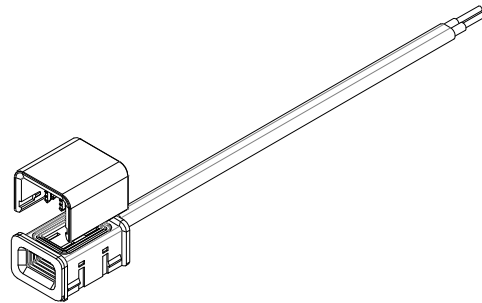


LSXT-HW | HARDWIRE CONNECTOR
Easy snap-on hardwire connection to power source.

LSXT-HW24 24" Hardwire Connector

LSXT-HW60 60" Hardwire Connector

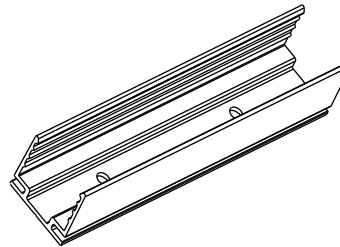
LSXT-HW120 120" Hardwire Connector



LSXT-AC | MOUNTING CHANNEL

LSXT-AC2 2" Mounting Channel

LSXT-AC48 48" Mounting Channel



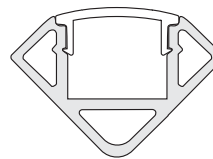
ALU-CN | MOUNTING CHANNEL

TYPE Surface, Corner

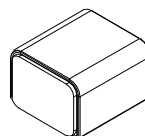
LENGTHS 39^{3/8"} | 78^{7/8"} | 96"

LENS Clear, Frosted

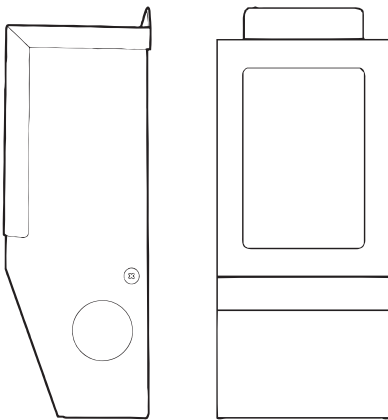
FINISH Silver | Black



LSXT-EC | END CAP

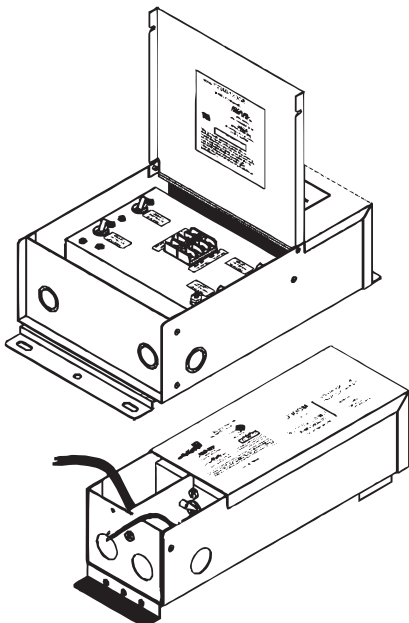


COMPATIBLE TRANSFORMERS



PSDM SERIES | DIMMABLE MAGNETIC LOW VOLTAGE (MLV)

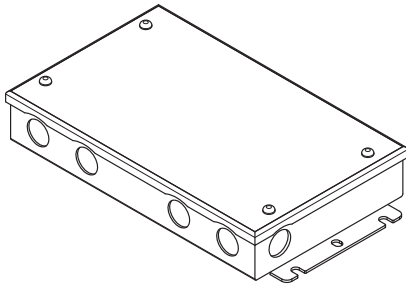
| | | |
|----------------------|---------|--------------------|
| PSDM-20W-24V | CLASS 2 | 5.6" x 2" x 2.14" |
| PSDM-40W-24V | CLASS 2 | 5.6" x 2" x 2.14" |
| PSDM-60W-24V | CLASS 2 | 6.5" x 2.3" x 2.5" |
| PSDM-100W-24V | CLASS 2 | 6.5" x 2.3" x 2.5" |
| PSDM-150W-24V | | 9.8" x 3" x 3" |
| PSDM-192W-24V | CLASS 2 | 7.0" x 7.0" x 3.2" |
| PSDM-200W-24V | | 9.8" x 3" x 3" |
| PSDM-288W-24V | CLASS 2 | 9.8" x 4.2" x 3.5" |
| PSDM-300W-24V | | 7.0" x 7.0" x 3.2" |



PSDH SERIES | HIGH PERFORMANCE MAGNETIC LOW VOLTAGE (MLV)

| | | |
|----------------------|---------|------------------------|
| PSDH-48W-24V | CLASS 2 | 11.25" x 3.37" x 3.25" |
| PSDH-96W-24V | CLASS 2 | 11.25" x 3.37" x 3.25" |
| PSDH-288W-24V | CLASS 2 | 14.25" x 8.43" x 4.43" |

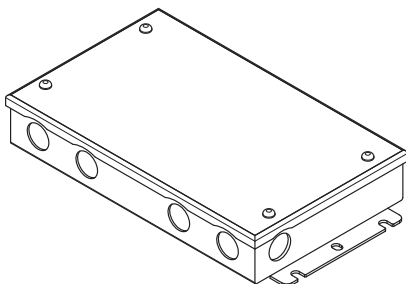
COMPATIBLE TRANSFORMERS



PSDL SERIES | TRIAC DIMMABLE

| | | |
|----------------------|---------|----------------------|
| PSDL-30W-24V | CLASS 2 | 6.5"x 3.63"x 1.03" |
| PSDL-60W-24V | CLASS 2 | 7.4"x 3.63"x 1.03" |
| PSDL-96W-24V | CLASS 2 | 8.67"x 3.67"x 1.62" |
| PSDL-150W-24V | | 8.67"x 3.67"x 1.62" |
| PSDL-192W-24V | CLASS 2 | 10.25"x 4.06"x 1.82" |
| PSDL-200W-24V | | 10.25"x 4.06"x 1.82" |
| PSDL-288W-24V | CLASS 2 | 10.25"x 4.06"x 1.82" |
| PSDL-300W-24V | | 10.25"x 4.06"x 1.82" |

CLASS 2



PSHK SERIES | NON-DIMMING W/ JUNCTION BOX

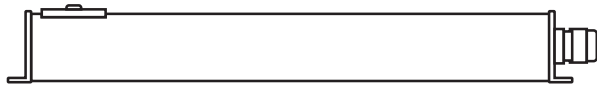
| | | |
|--------------------------|---------|------------------------|
| PSHK-30W-24V-UNV | CLASS 2 | 6.5" X 3.6" X 1.02" |
| PSHK-60W-24V-UNV | CLASS 2 | 7.4" X 3.62" X 1.02" |
| PSHK-96W-24V-UNV | CLASS 2 | 8.66" X 3.66" X 1.61" |
| PSHK-150W-24V-UNV | | 10.24" X 4.06" X 1.81" |
| PSHK-200W-24V-UNV | | 10.24" X 4.06" X 1.81" |
| PSHK-300W-24V-UNV | | 10.94" X 4.25" X 1.81" |

LSXT-450 4.4W Long Run Series LED Strip

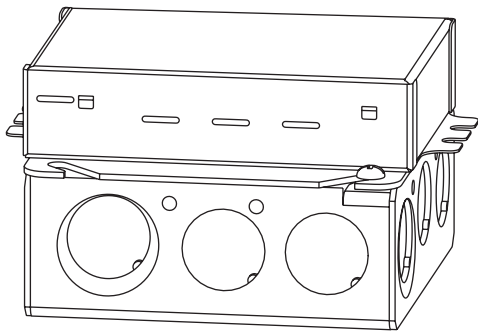
COMPATIBLE TRANSFORMERS



PSDE SERIES | 0-10V DIMMING W/ JUNCTION BOX



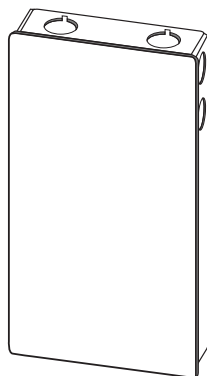
PSDE-100W-24V-010-JB CLASS 2 12.32" x 1.77" x 1.67"



LUTRON 1% | 2 OR 3-WIRE DIMMING

LTEA4U1UKL-CV240 CLASS 2 4.0" x 1.5" x 4.0"

L3DA4U1UKL-CV240 CLASS 2 4.0" x 1.5" x 4.0"



LUTRON 1%

PSDE-96W-24V-ECO CLASS 2 10.5" x 3.0" x 2.0"