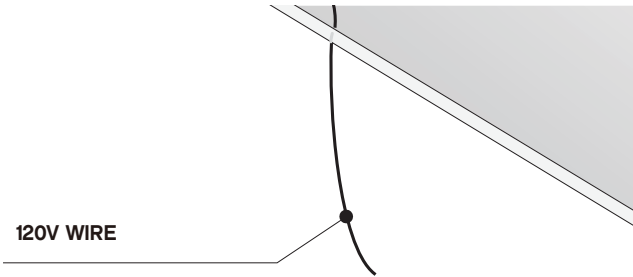


SURFACE MOUNT INSTALLATION GUIDE

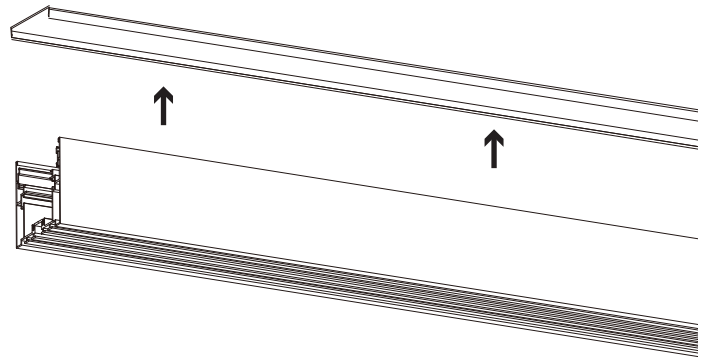


WARNING: RISK OF ELECTRICAL SHOCK
* turn off main power prior to installation
* make sure hands are dry
* never touch exposed wires

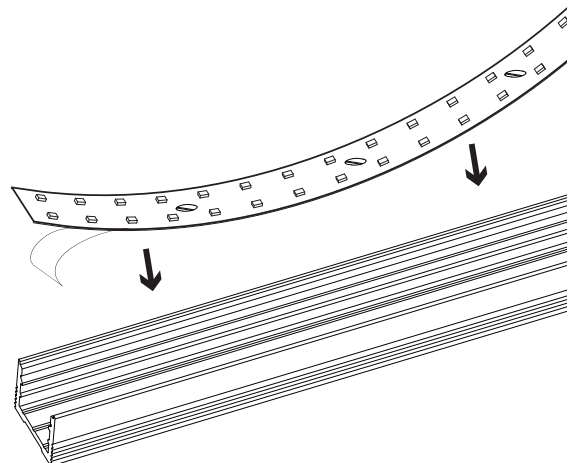
- 1** Run 120V wire through ceiling



- 2** Remove plastic diffuser to install the LED strip



- 3** Peel off adhesive backing on LED strip and mount onto aluminum profile, making sure that the whole length of the strip is pressed firmly to adhere properly.

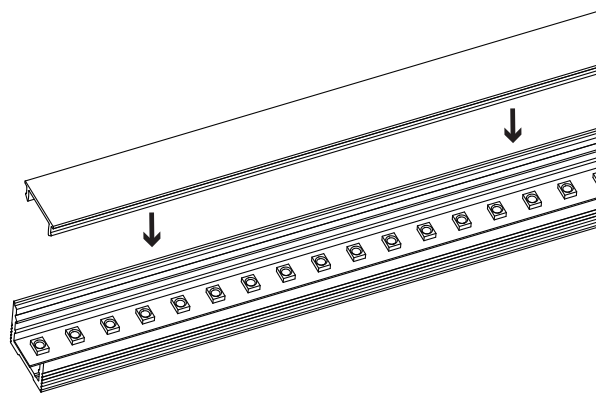


SURFACE MOUNT INSTALLATION GUIDE

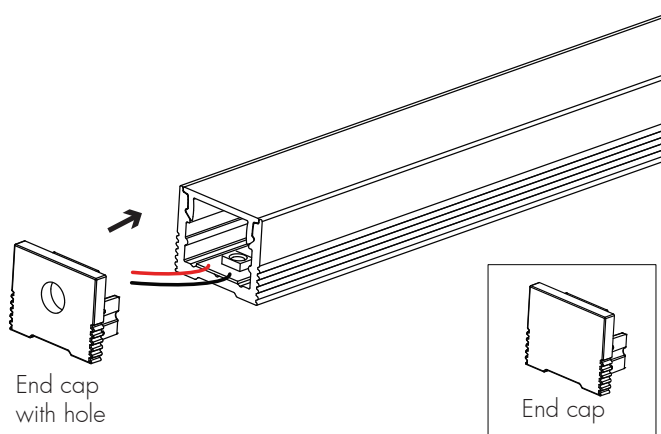


WARNING: RISK OF ELECTRICAL SHOCK
* turn off main power prior to installation
* make sure hands are dry
* never touch exposed wires

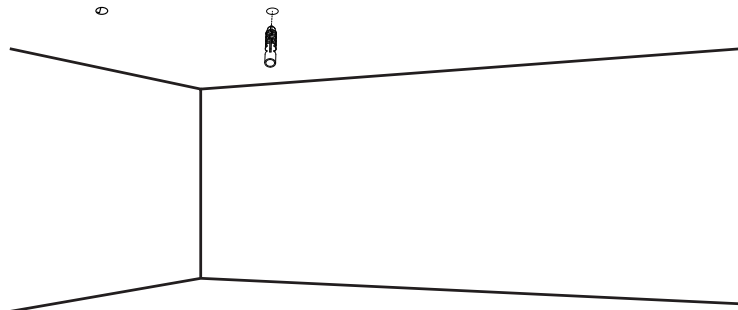
4 Mount diffuser onto the profile



5 Install end caps



6 Make a hole at the mounting position where aluminum profile will be installed.

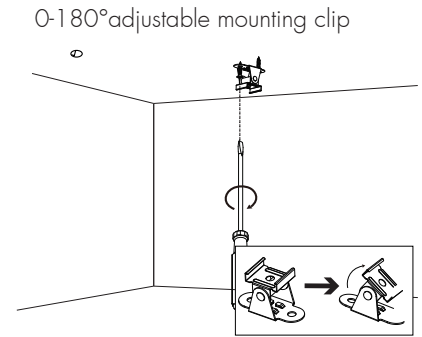
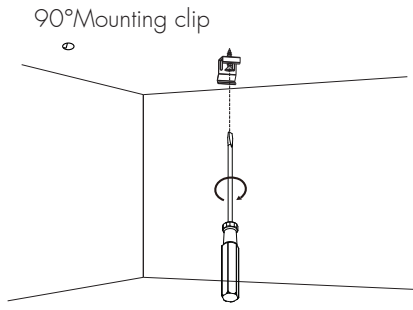
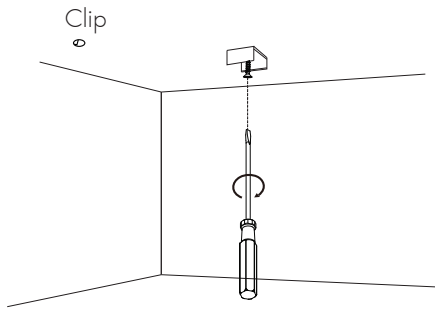


SURFACE MOUNT INSTALLATION GUIDE

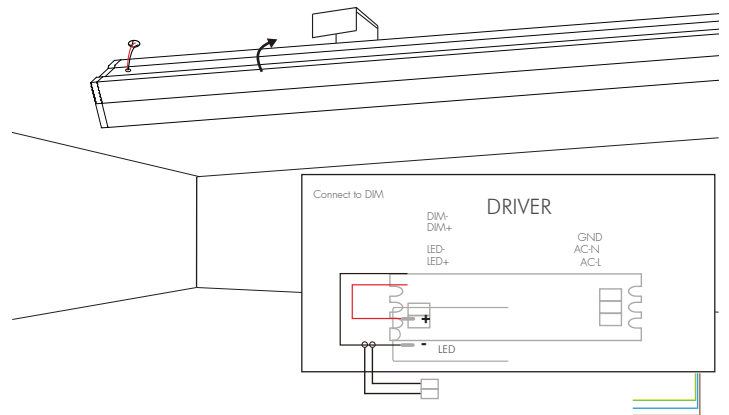


WARNING: RISK OF ELECTRICAL SHOCK
 * turn off main power prior to installation
 * make sure hands are dry
 * never touch exposed wires

7 Select appropriate mounting option and clip for your project and install accordingly.



8 Connect lead wires from aluminum profile / fixture to the output line of the power supply.



9 Completed

