

SPECIFICATION SHEET

JOB NAME: _____
 LOCATION: _____
 QUOTE/REF#: _____



PSDM-60W-24V-277 is a constant voltage Class 2 LED driver equipped with a magnetic transformer core. It features built-in protection for both the load and the driver via push-to-reset breakers (one on the input and one on the output). Its durable, coated metal box includes 2 knock-outs, one on each side, for easy installation that complies with electrical code standards. Compatible with any standard MLV/incandescent TRIAC (leading edge) dimmer switch.

FEATURES

- 60W 24V
- CLASS 2
- Dimmable
- NEMA 3R - outdoor use
- Suitable for Indoor or Outdoor Use
- Suitable for commercial applications
- Two knock-outs, one on each side
- Push-to-reset



INPUT SPECIFICATIONS

| | |
|--------------------------|---------|
| INPUT VOLTAGE | 277 VAC |
| INPUT CURRENT @ MAX LOAD | 0.95A |
| POWER FACTOR | > 0.82 |
| EFFICIENCY | > 85% |

OUTPUT SPECIFICATIONS

| | |
|-----------------------------|-----------------------|
| MAX LOAD | 60W |
| OUTPUT VOLTAGE | 23.3 VDC @ full load |
| OUTPUT CURRENT @ MAX LOAD | 2.56A |
| OPEN CIRCUIT OUTPUT VOLTAGE | 25 VDC |
| COIL FORMER | Double Section Bobbin |

ENVIRONMENT SPECIFICATIONS

| | |
|------------------------------------|------------------------------|
| OPERATING TEMPERATURE | -30°C ~ 45°C (-22°F ~ 113°F) |
| MIN INSTALLATION SPACE BET DRIVERS | 5" |
| THERMAL CLASS | B130°C |

SAFETY PROTECTION SPECIFICATIONS

| | |
|-----------------|-----------------------------------|
| CIRCUIT BREAKER | Secondary manual push-to-reset |
|-----------------|-----------------------------------|

MECHANICAL/HOUSING SPECIFICATIONS

| | |
|------------------|--------------------------|
| LEADS PRIMARY | PVC 600V #20 |
| LEADS SECONDARY | PVC 300V #16 |
| LENGTH | 6.62" (168mm) |
| WIDTH | 2.58" (65.6mm) |
| HEIGHT | 2.33" (59.1mm) |
| WEIGHT | 50oz (1.4 kg) |
| HOUSING MATERIAL | coated metal |
| HOUSING COLOR | Black |
| JUNCTION BOX | yes |
| MOUNTING | two-hole flange mounting |

WIRING DIAGRAM

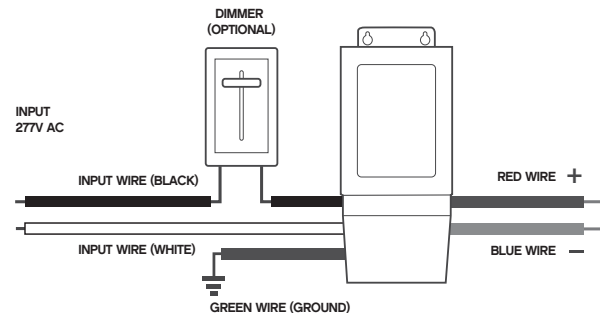
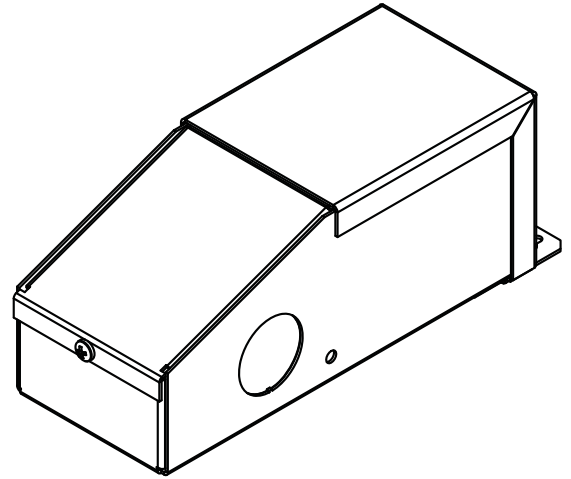
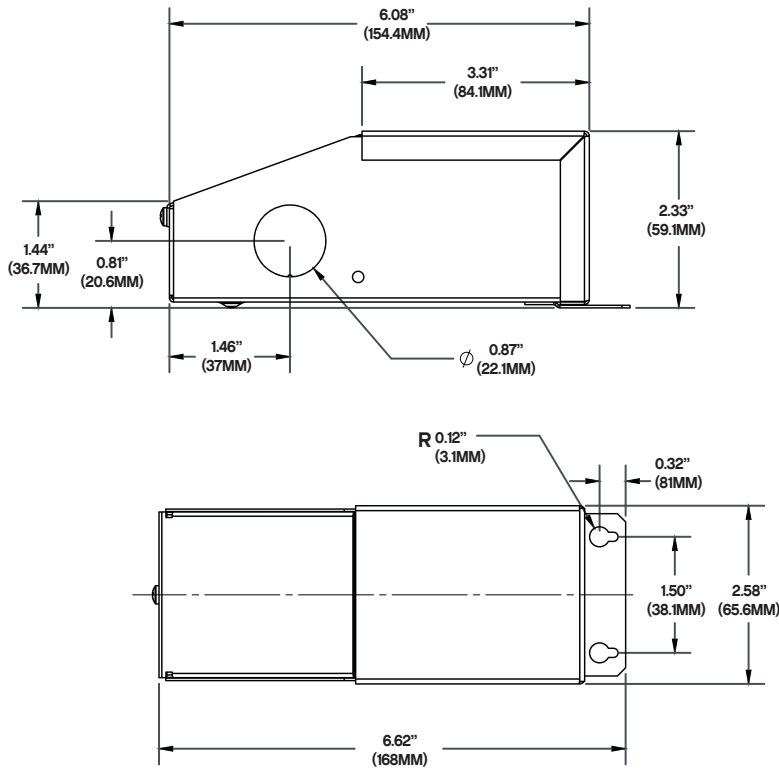


DIAGRAM AND DIMENSIONS



INSTALLATION GUIDE



THIS TRANSFORMER IS ONLY TO BE INSTALLED BY A QUALIFIED TECHNICIAN IN ACCORDANCE WITH NATIONAL AND LOCAL ELECTRICAL CODES

BEFORE YOU BEGIN

Make sure the transformer has the proper input voltage and wattage for the intended job. Check wiring and make sure they match the diagram on this guide.

MOUNTING

Select a suitable and proper location to mount the driver. Consider the weight of the driver to be supported.

INPUT CONNECTIONS / GROUNDING

1. Remove input wiring cover and install strain reliefs.
2. Make sure power is turned off. Route input wires and make connections based on wiring diagram following the INPUT side.
3. Make sure that driver is properly grounded in accordance with the N.E.C.

OUTPUT CONNECTIONS

1. Remove output wiring cover and install clamp connectors.
2. Make sure power is turned off. Route fixture wires and make connections based on wiring diagram following the OUTPUT side.

