

SPECIFICATION SHEET

JOB NAME: _____
 LOCATION: _____
 QUOTE/REF#: _____



PSDM-200W-24V-277 is a constant voltage LED driver equipped with a magnetic transformer core. It features built-in protection for both the load and the driver via push-to-reset breakers (one on the input and one on the output). Its durable, coated metal box includes knock-outs for easy installation that complies with electrical code standards. Compatible with any standard MLV/incandescent TRIAC (leading edge) dimmer switch.

FEATURES

- 200W 24V
- Dimmable
- NEMA 3R - outdoor use
- Suitable for Indoor or Outdoor Use
- Built-in knock-outs for easy installation
- Push-to-reset



INPUT SPECIFICATIONS

INPUT VOLTAGE	277 VAC
INPUT CURRENT @ MAX LOAD	2.51A
POWER FACTOR	> 0.93
EFFICIENCY	> 85%

OUTPUT SPECIFICATIONS

MAX LOAD	200W
OUTPUT VOLTAGE	23.3 VDC @ full load
OUTPUT CURRENT @ MAX LOAD	10.9A
OPEN CIRCUIT OUTPUT VOLTAGE	26.2V DC
COIL FORMER	Double Section Bobbin

ENVIRONMENT SPECIFICATIONS

OPERATING TEMPERATURE	-30°C ~ 45°C (-22°F ~ 113°F)
MIN INSTALLATION SPACE BET DRIVERS	5"
THERMAL CLASS	B130°C

SAFETY PROTECTION SPECIFICATIONS

CIRCUIT BREAKER	Secondary manual push-to-reset
-----------------	-----------------------------------

MECHANICAL/HOUSING SPECIFICATIONS

LEADS PRIMARY	PVC 600V #18
LEADS SECONDARY	PVC 300V #12
LENGTH	10.06" (255.5mm)
WIDTH	3.09" (78.5mm)
HEIGHT	2.84" (72.1mm)
WEIGHT	87oz (2.47 kg)
HOUSING MATERIAL	coated metal
HOUSING COLOR	Black
JUNCTION BOX	yes
MOUNTING	two-hole flange mounting

WIRING DIAGRAM

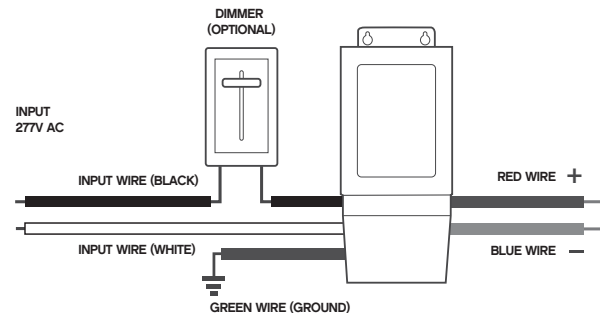
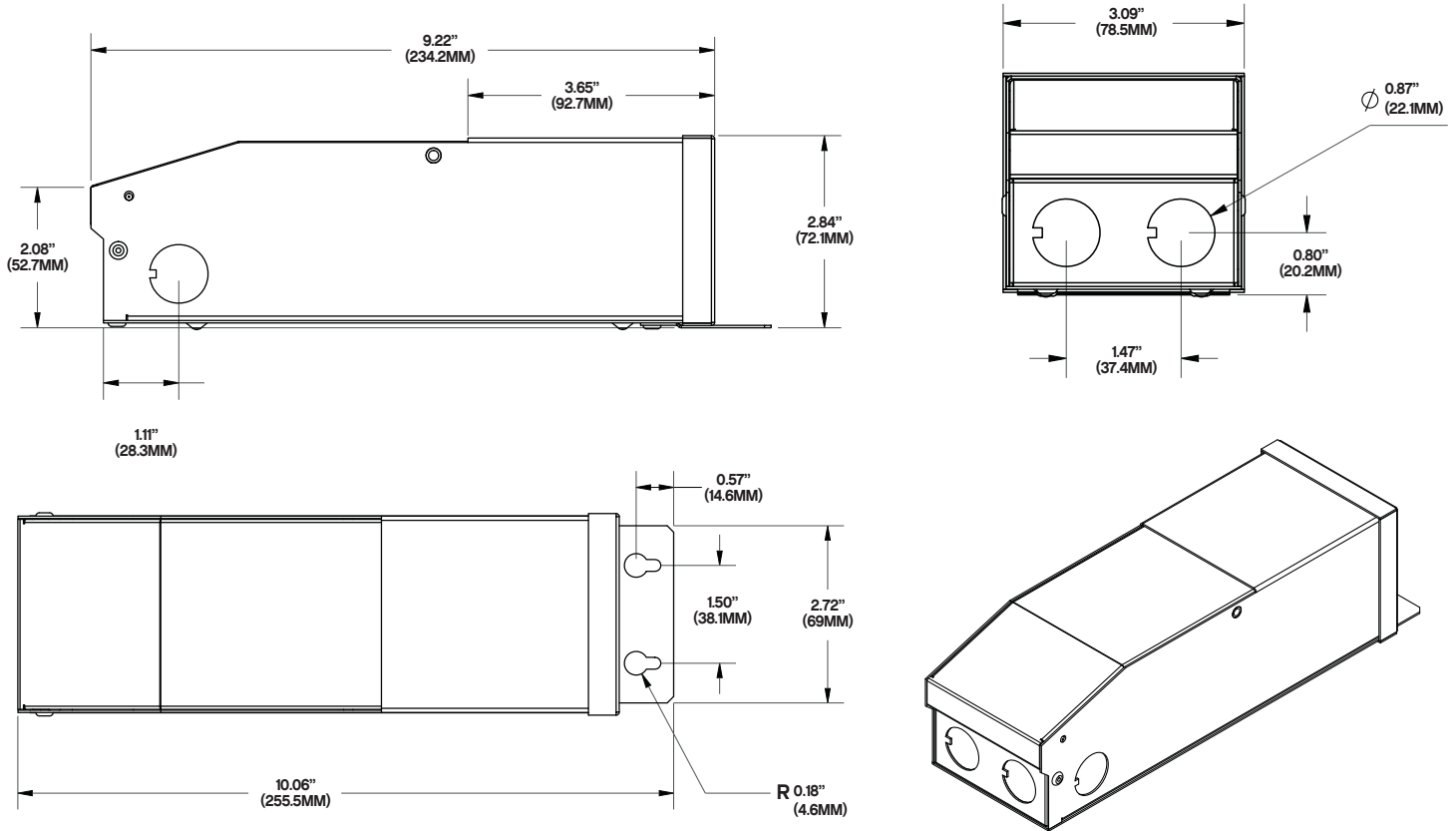


DIAGRAM AND DIMENSIONS



INSTALLATION GUIDE

THIS TRANSFORMER IS ONLY TO BE INSTALLED BY A QUALIFIED TECHNICIAN IN ACCORDANCE WITH NATIONAL AND LOCAL ELECTRICAL CODES

BEFORE YOU BEGIN

Make sure the transformer has the proper input voltage and wattage for the intended job. Check wiring and make sure they match the diagram on this guide.

MOUNTING

Select a suitable and proper location to mount the driver. Consider the weight of the driver to be supported.

INPUT CONNECTIONS / GROUNDING

1. Remove input wiring cover and install strain reliefs.
2. Make sure power is turned off. Route input wires and make connections based on wiring diagram following the INPUT side.
3. Make sure that driver is properly grounded in accordance with the N.E.C.

OUTPUT CONNECTIONS

1. Remove output wiring cover and install clamp connectors.
2. Make sure power is turned off. Route fixture wires and make connections based on wiring diagram following the OUTPUT side.

