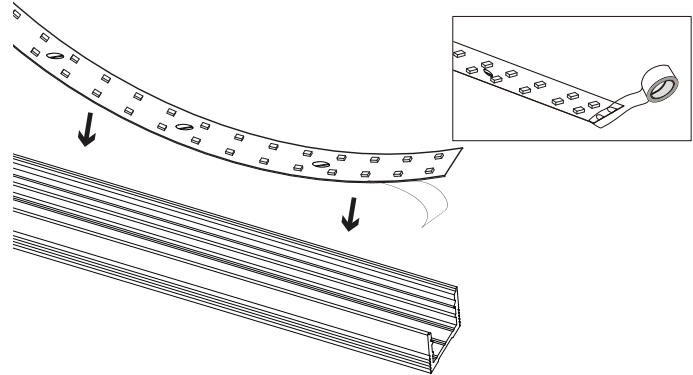


## INSTALLATION GUIDE

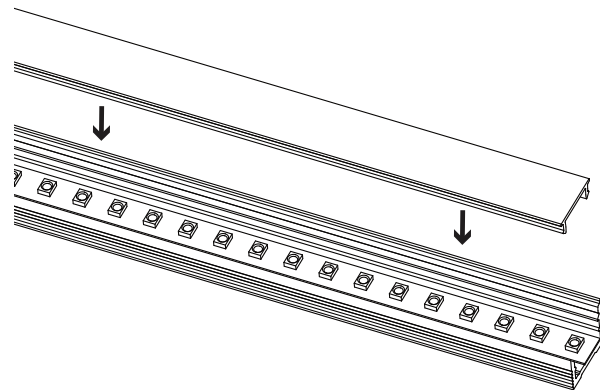


**WARNING: RISK OF ELECTRICAL SHOCK**  
\* turn off main power prior to installation  
\* make sure hands are dry  
\* never touch exposed wires

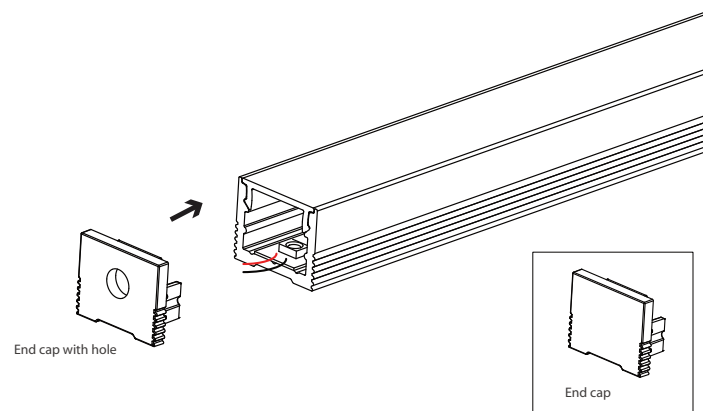
- 1** PLACE INSULATION ON BOTH ENDS OF THE LED STRIP. PEEL OFF ADHESIVE BACKING AND ATTACH ONTO PROFILE. MAKE SURE LED STRIP IS COMPLETELY ADHERED TO PROFILE.



- 2** MOUNT DIFFUSER (LENS) ONTO PROFILE. LENS WILL SNAP SHUT WHEN IT IS FULLY SET INTO PLACE.



- 3** MOUNT END CAPS. FOR LEAD WIRE GOING THROUGH THE END OF THE PROFILE, RUN LEAD WIRE THROUGH END CAP WITH HOLE. USE AN END CAP WITHOUT A HOLE FOR LEAD WIRES GOING THROUGH BOTTOM OF PROFILE.

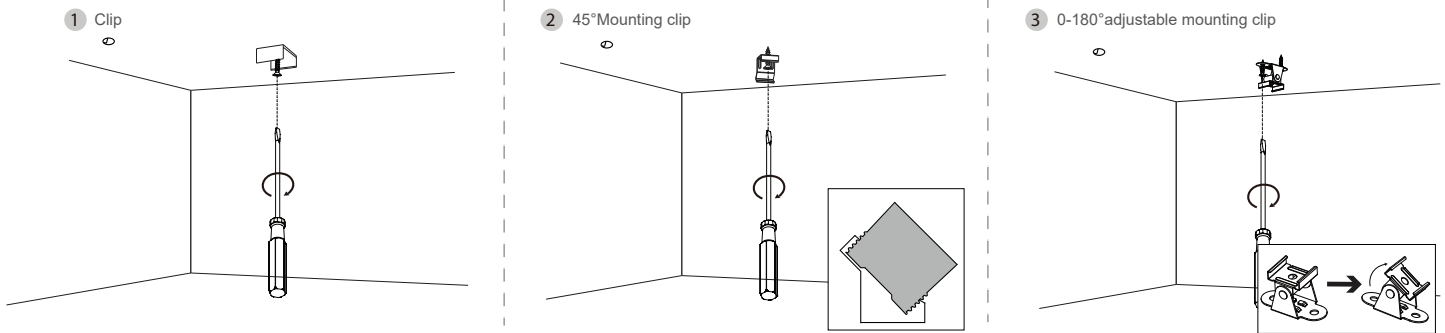


## INSTALLATION GUIDE

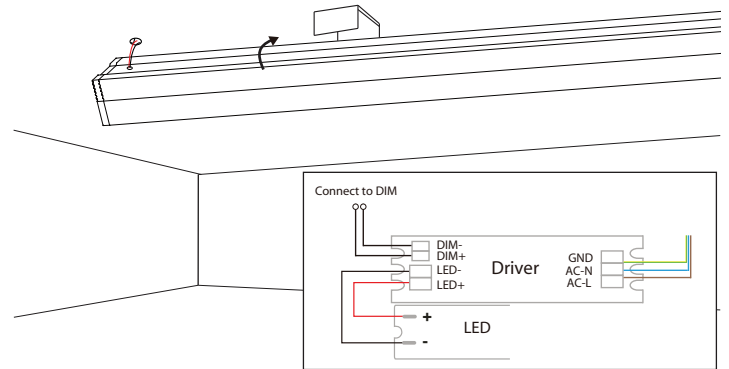


**WARNING: RISK OF ELECTRICAL SHOCK**  
 \* turn off main power prior to installation  
 \* make sure hands are dry  
 \* never touch exposed wires

**4 DETERMINE WHERE TO MOUNT THE FIXTURE THEN MAKE 5MM HOLES AND INSERT ANCHORS. CHOOSE MOUNTING CLIP AND SECURE ONTO PLACE WITH SCREWS.**



**5 MAKE NECESSARY WIRE CONNECTIONS. MAKE SURE TO FOLLOW WIRING DIAGRAM OF POWER SUPPLY, DIMMER ETC... FIX PROFILE INTO POSITION AND ATTACH TO MOUNTING CLIPS. FIXTURE WILL SNAP SECURELY ONTO MOUNTING CLIPS WHEN PROPERLY FASTENED.**



**6 INSTALLATION COMPLETE**

