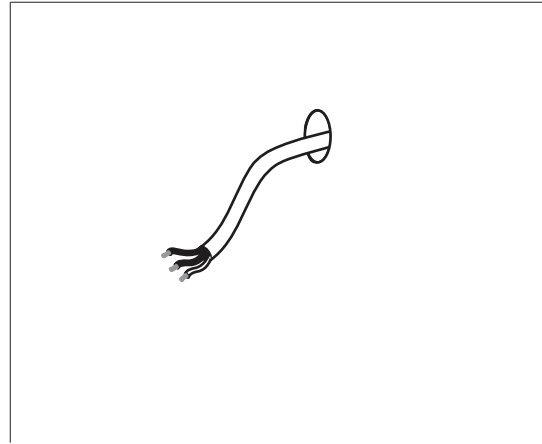


INSTALLATION GUIDE

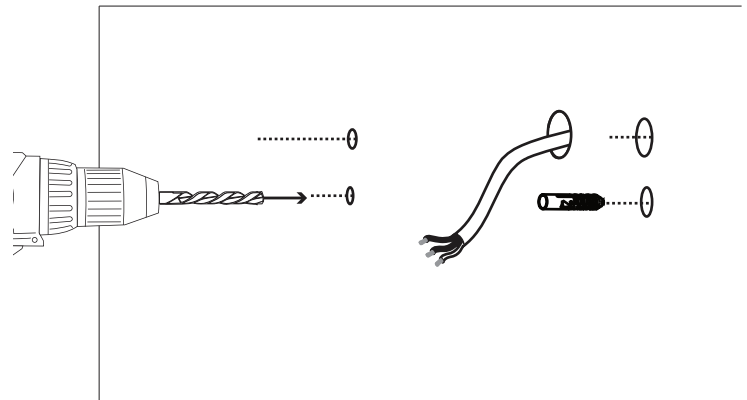


WARNING: RISK OF ELECTRICAL SHOCK
** turn off main power prior to installation*
** make sure hands are dry*
** never touch exposed wires*

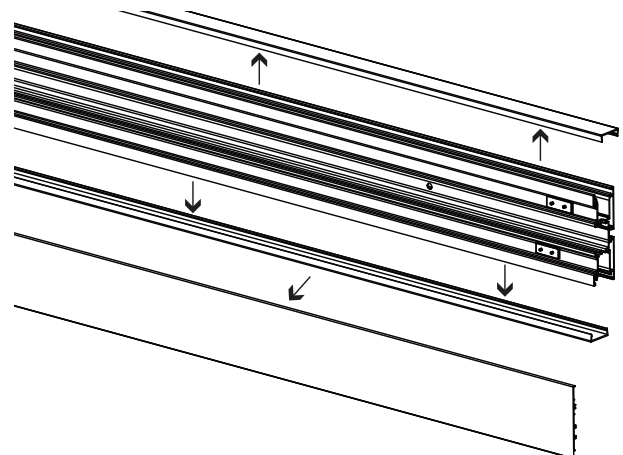
- 1 Run the 120V power wire through the wall/installation surface before installing the fixture.



- 2 Drill 3 holes and punch rubber plugs into the holes to fit the installation screws for the fixture.



- 3 Remove lens cover (diffuser) and the carrier

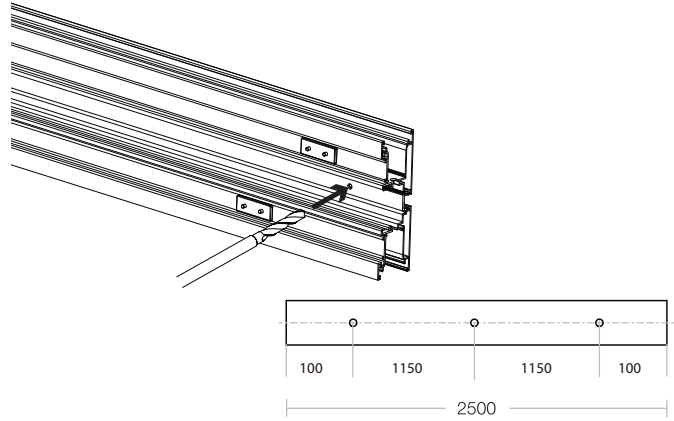


INSTALLATION GUIDE

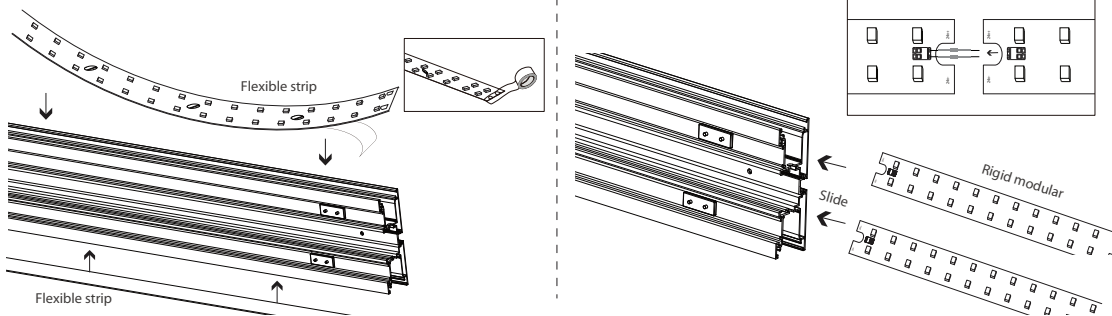


WARNING: RISK OF ELECTRICAL SHOCK
 * turn off main power prior to installation
 * make sure hands are dry
 * never touch exposed wires

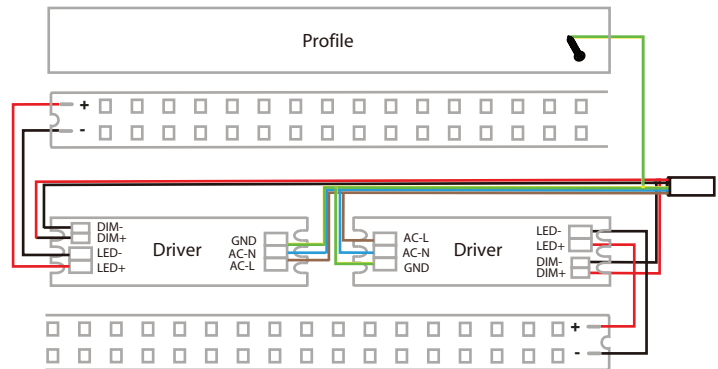
4 Drill holes into profile to match the holes made on wall



5 Place insulation on both ends of LED strip and attach to carrier. Connect rigid modular to pins correctly (do not confuse anode with cathode), then slide the rigid module into carrier.



6 Connect LED strip to power supply, fix the wires with clips.

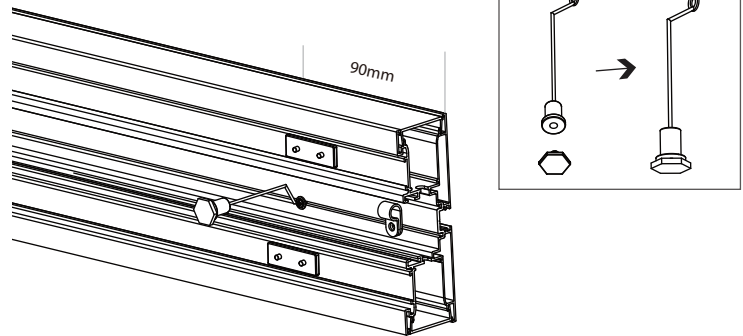


INSTALLATION GUIDE

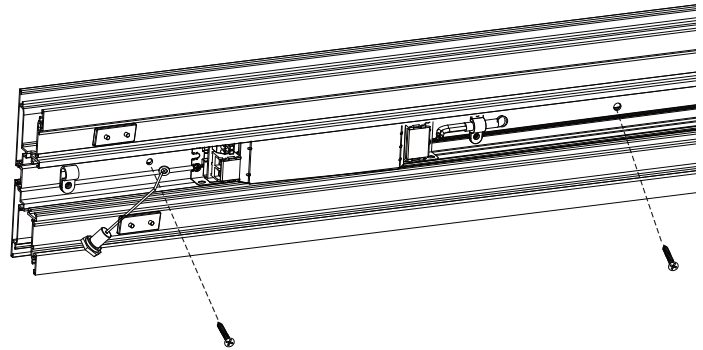


WARNING: RISK OF ELECTRICAL SHOCK
* turn off main power prior to installation
* make sure hands are dry
* never touch exposed wires

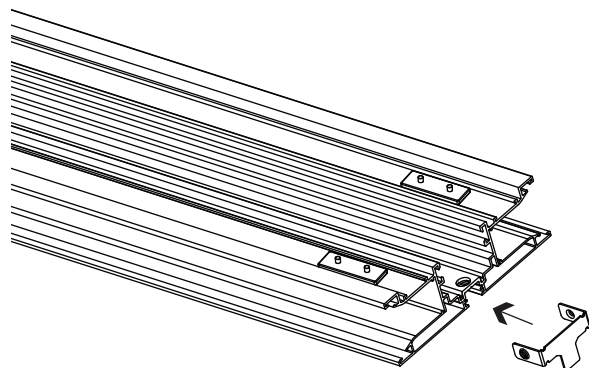
- 7** Install safety rope on the profile, fix the safety rope on the screw slot below of the profile.



- 8** Mount fixture/profile on wall, secure tightly with screws.



- 9** Mount safety baffle

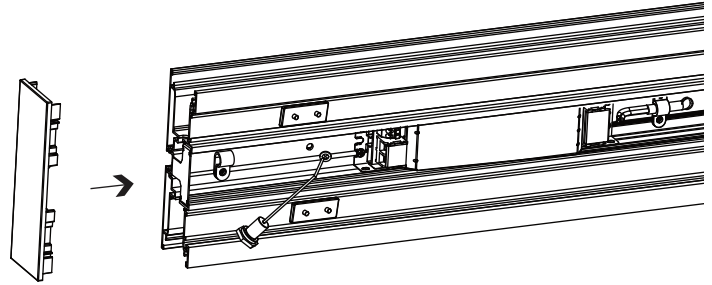


INSTALLATION GUIDE

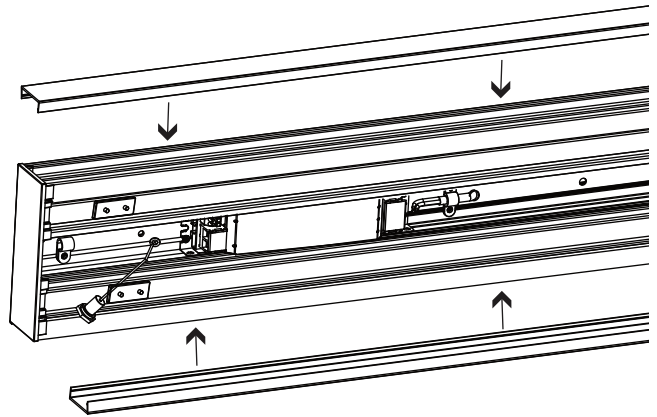


WARNING: RISK OF ELECTRICAL SHOCK
* turn off main power prior to installation
* make sure hands are dry
* never touch exposed wires

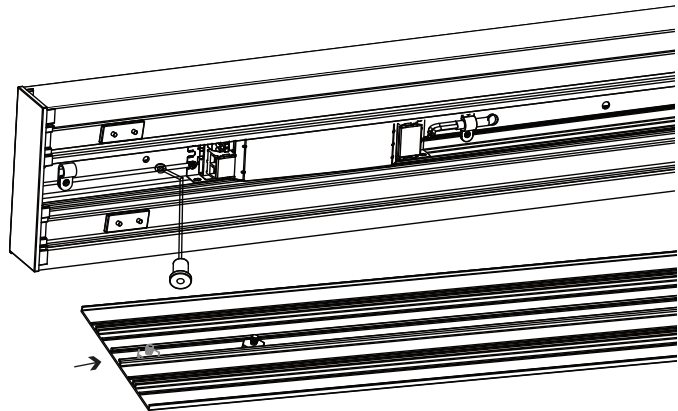
10 Mount the end caps.



11 Mount the diffuser onto profile.



12 Slide one end of the safety rope into the cover plate

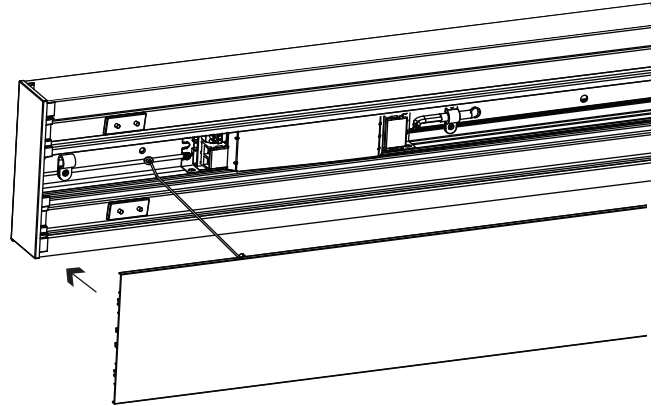


INSTALLATION GUIDE



WARNING: RISK OF ELECTRICAL SHOCK
** turn off main power prior to installation*
** make sure hands are dry*
** never touch exposed wires*

- 13** Tighten the safety rope and cover the profile with cover plate



- 14** FINISHED

