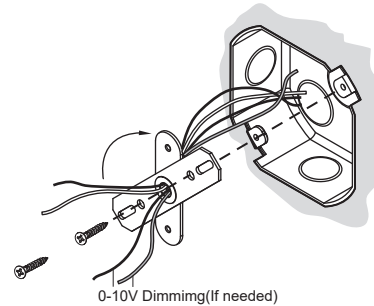


## INSTALLATION GUIDE

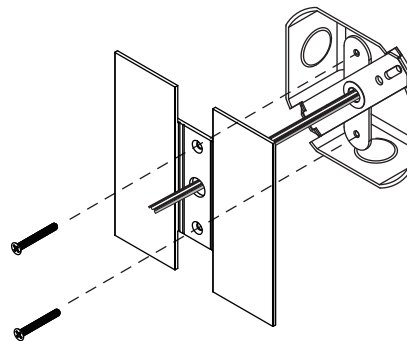


**WARNING: RISK OF ELECTRICAL SHOCK**  
\* turn off main power prior to installation  
\* make sure hands are dry  
\* never touch exposed wires

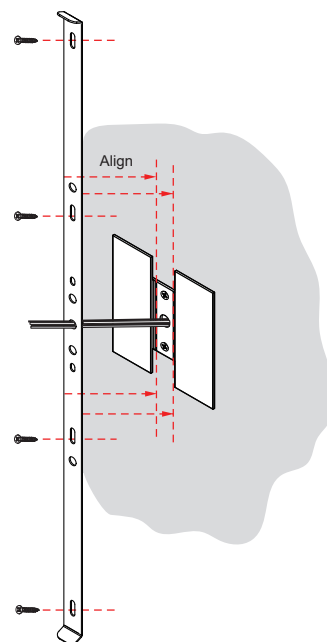
- 1 Feed wires coming from junction box through the crossbar center hole and mount the crossbar to the junction box using the screws provided.



- 2 Mount the wall plate / canopy kit to the crossbar using the screws provided



- 3 Align the bracket to the gap on the wall plate / canopy kit then mount the bracket using the screws provided. Secure the bracket tightly.

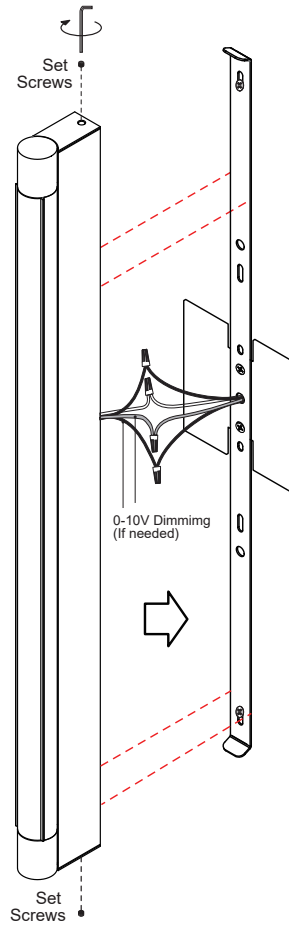


## INSTALLATION GUIDE WITH WALL PLATE / CANOPY KIT

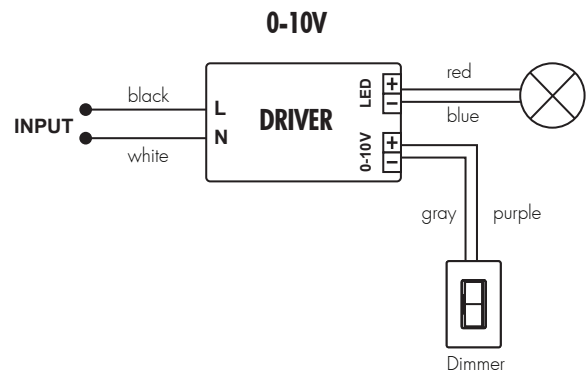
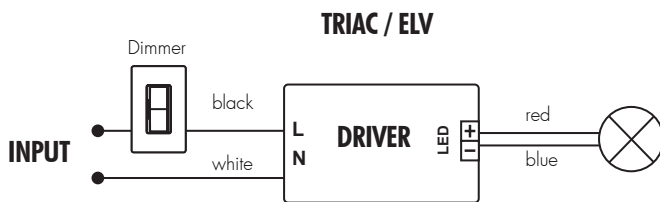


**WARNING: RISK OF ELECTRICAL SHOCK**  
 \* turn off main power prior to installation  
 \* make sure hands are dry  
 \* never touch exposed wires

- 4 Connect the wires, mount the fixture onto the mounting bracket and secure fixture using the two set screws located on the top and bottom of the fixture.



## WIRING GUIDE

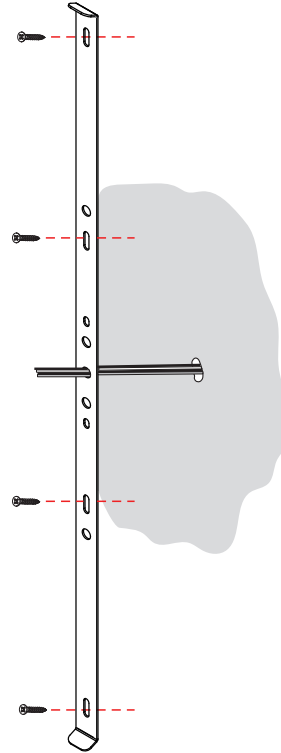


## INSTALLATION GUIDE WITHOUT WALL PLATE / CANOPY KIT



**WARNING: RISK OF ELECTRICAL SHOCK**  
*\* turn off main power prior to installation*  
*\* make sure hands are dry*  
*\* never touch exposed wires*

- 1** Feed wires through bracket. Mount the bracket with screws provided.



- 2** Connect the wires, align the fixture with the mounting bracket and secure with two set screws on top and bottom of the fixture.

