

1 2 3 4 5 6 7 8

A

B

C

D

E

F

A

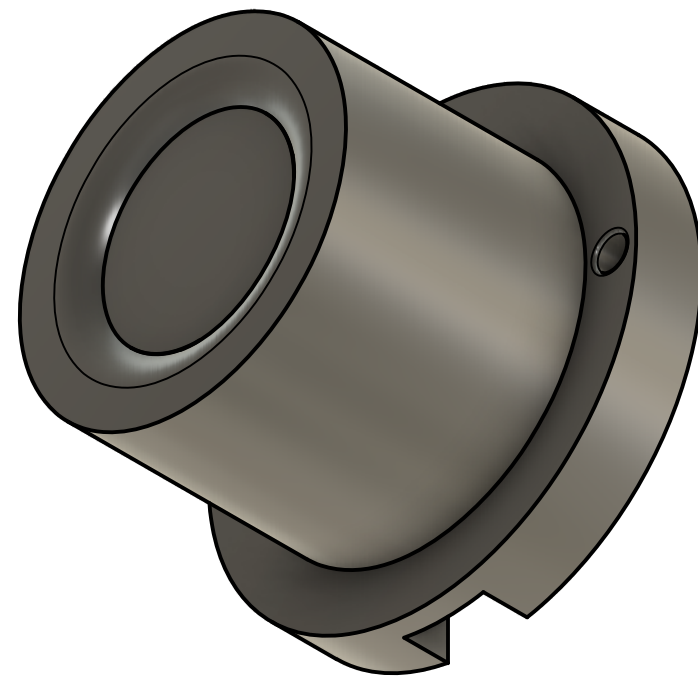
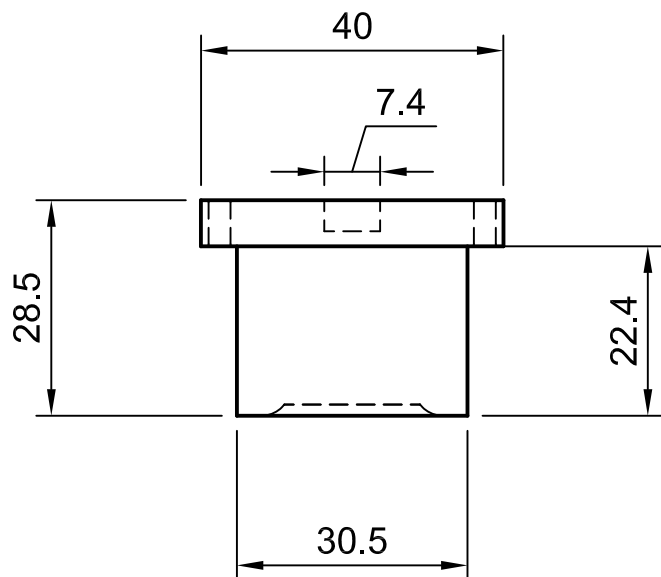
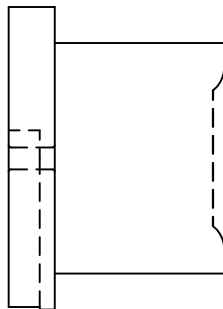
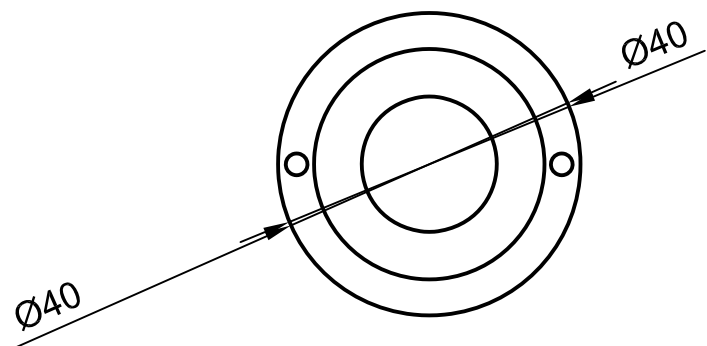
B

C

D

E

F



Dept.	Technical reference	Created by	Approved by
		Document type	Document status
		Title	DWG No.
		DOT-100	dot1002020.1
Rev.	Date of issue	Sheet	1/1

1 2 3 4 5 6 7 8