

SPECIFICATION SHEET

JOB NAME: _____
 LOCATION: _____
 QUOTE/REF#: _____



CORE LED MR16 uses the latest in LED technology to provide a direct replacement for Halogen MR16 Lamps. Patented optical technology and superior thermal management makes this LED bulb one of the most efficient LED MR16's out in the market today. Life rating of 25,000 hours is more than 10 times the lamp life of a standard MR16 halogen lamp. Available in different color temperatures, this high performance LED bulb is suitable for any retail, residential or commercial application.

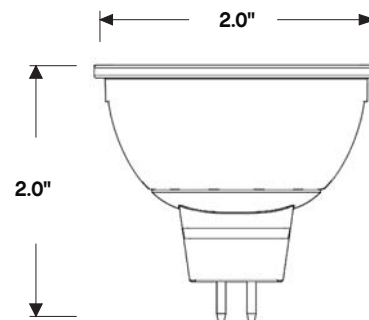
FEATURES

- 12V AC/DC
- Direct replacement for Halogen MR16
- Rated to last 25,000 Hrs
- 2700K, 3000K and 4000 CCT options
- Dimmable
- Mercury free

SPECIFICATIONS

VOLTAGE	12V AC/DC
POWER CONSUMPTION	5W
LUMEN OUTPUT	380 Lumens
BASE	GU5.3
CCT	2700K / 3000K / 4000K
CRI	85+
DIMMING	YES
BEAM ANGLE	40°
OPERATING TEMPERATURE	-4 ~ 122°F (-20 ~ 50°C)
AMBIENT TEMPERATURE	-4 ~ 176°F (-20 ~ 80°C)
LUMEN MAINTENANCE	25,000 hrs.
WARRANTY	3-Year Limited
DIMENSIONS	2.0" L x 2.0" H

DIMENSIONS



35W
Halogen Replacement

ORDERING GUIDE EX: RL5WMR16-30K-40-12V

RL-5WMR16			
MODEL	COLOR TEMP	BEAM ANGLE	VOLTAGE
	27K - 2700K 30K - 3000K 40K - 4000K	40 - 40°	12V -- 12V AC/DC