

## SPECIFICATION SHEET

JOB NAME: \_\_\_\_\_  
 LOCATION: \_\_\_\_\_  
 QUOTE/REF#: \_\_\_\_\_



**RGB-DMX-5C-XLR** is a DMX decoder with 5 channels, 8A per channel constant voltage output and available in 12VDC and 24VDC. Abundant DMX signal input and output ports are available for this RGBW DMX controller including XLR, RJ45 and screw DMX. RDM bi-direction communication function enables the DMX512 master console to detect and display decoder information and set DMX address.

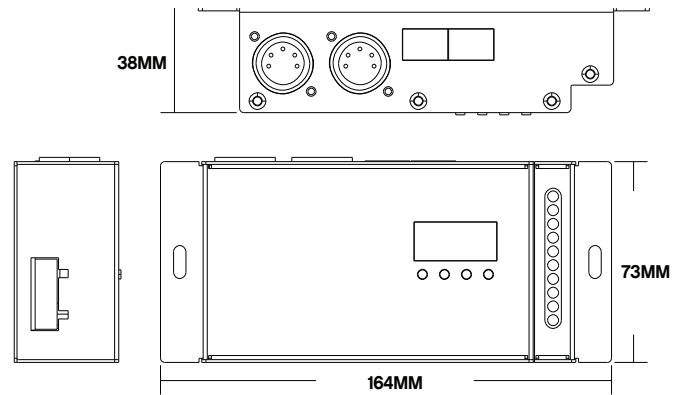
### FEATURES

- DMX512 RDM decoder
- Metal housing, digital display
- DMX in/out ports, RJ45, XLR, normal screws
- Total 5 PWM output channels, common anode
- PWM output resolution ratio 8bit, 16 bit settable
- Output PWM frequency from 500Hz ~ 9K Hz settable
- Output dimming curve gamma value from 0.1 ~ 9.9 settable
- Decoding mode settable

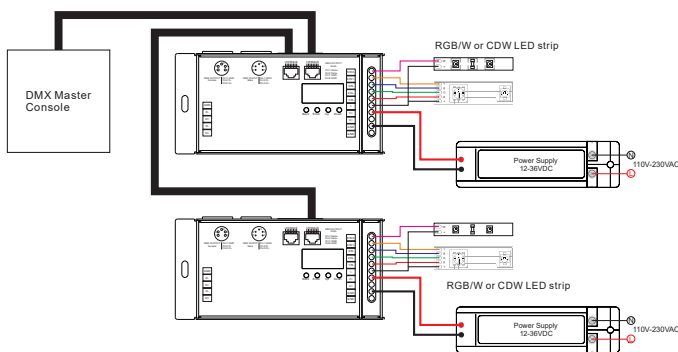
### SPECIFICATIONS (RECEIVER)

INPUT VOLTAGE	12 ~ 24V DC
INPUT SIGNAL	DMX512
OUTPUT VOLTAGE	12 ~ 24V DC
OUTPUT PWM CHANNELS	5
OUTPUT CURRENT	8A per channel
OUTPUT WATTAGE	5 x (96W-192W)
OPERATING TEMPERATURE	-20°C ~ 50°C
DIMENSIONS	LxWxH (164mm x 73mm x 38mm)

### DIMENSIONS



### WIRING



### INSTALLATION

**⚠ THIS PRODUCT IS ONLY TO BE INSTALLED BY A QUALIFIED TECHNICIAN IN ACCORDANCE WITH NATIONAL AND LOCAL ELECTRICAL CODES.**

#### BEFORE YOU BEGIN

Make sure the controller has the proper voltage and wattage for the intended job. Check wiring and make sure they match the diagram on this guide.

#### MOUNTING

Select a suitable and proper location to mount the DMX decoder. Consider distance of transformer and LED fixture from controller to determine appropriate wire gauges.

#### SAFETY & WARNINGS

- Install this product in accordance with local and national electrical codes.
- This product is rated for indoor use, avoid installing outdoors.
- Make sure this product is mounted in a well ventilated area to avoid over-heating
- Make sure power from main breaker is off before installing to avoid risk of electrical shock.