

## SPECIFICATION SHEET

JOB NAME: \_\_\_\_\_  
 LOCATION: \_\_\_\_\_  
 QUOTE/REF#: \_\_\_\_\_



The **RGB-CT500** Zone Color Control System controls up to 8 independent zones of RGBW (Red, Green, Blue, and White) light. With the addition of white light, brighter colors can be achieved as well as the introduction of the pastel range, which will satisfy color requirements for the most discerning lighting designers.

Remote and Receiver sold separately. Up to 8 receivers may be paired to a single remote. Multiple remotes cannot be paired to a single receiver.

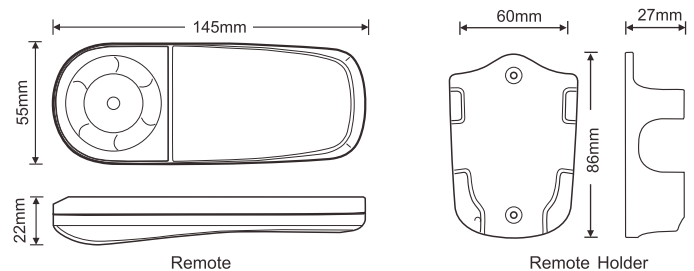
### FEATURES

- RGBW zone receiver
- Control up to 8 receivers with one remote
- Color wheel picker
- Up to 8 custom modes
- USB rechargeable RF remote control
- Remote range up to 99 ft.

### SPECIFICATIONS (RECEIVER) | MODEL: RGB-CT500

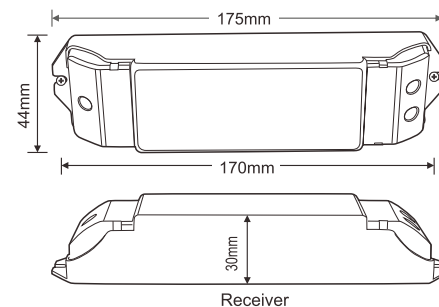
|                     |                              |
|---------------------|------------------------------|
| POWER INPUT         | 12 ~ 24V DC                  |
| MAX CURRENT LOAD    | 5A x 4CH MAX 20A             |
| MAX OUTPUT POWER    | 240W (12V) 480W (24V)        |
| CONTROL TYPE        | PWM (Pulse Width Modulation) |
| WORKING TEMPERATURE | -30°C ~ 55°C                 |
| DIMENSIONS          | LxWxH (178mm x 48mm x 33mm)  |
| WEIGHT (N.W.)       | 110g (0.24lbs)               |

### DIMENSIONS



### SPECIFICATIONS (REMOTE) | MODEL: RGB-CT500RX (SOLD SEPARATELY)

|                   |                             |
|-------------------|-----------------------------|
| WORKING VOLTAGE   | 5V                          |
| POWER SOURCE      | Built-in Lithium Battery    |
| WORKING FREQUENCY | 2.4 GHz                     |
| REMOTE DISTANCE   | 30m (98Ft)                  |
| REMOTE OPTION     | Sync / Zone Control         |
| SCALE LEVELS      | 1024 x 1024 x 1024          |
| BATTERY CAPACITY  | 1000mAh                     |
| STANDBY TIME      | ≤ 6 months                  |
| DIMENSIONS        | LxWxH (145mm x 55mm x 22mm) |
| WEIGHT            | 200g (0.44lbs)              |



**⚠️ \*UP TO 8 RECEIVERS MAY BE PAIRED TO A SINGLE REMOTE. MULTIPLE REMOTES CANNOT BE PAIRED TO A SINGLE RECEIVER.**

