

SPECIFICATION SHEET

JOB NAME: _____
 LOCATION: _____
 QUOTE/REF#: _____



The RGB CT400 Control System provides powerful wireless color control for Color-Changing RGB LED Lights, letting you create distinct zones, each with their own color-changing patterns or static colors. Whether you have a large installation where you want different areas to display different colors or patterns, or a setup where a single set of lights can be controlled with multiple remotes, this exciting system fits the bill. This flexible zone color control system is made up of the RGB Zone Receiver and RGB Zone Remote Control, which offer a number of options for custom RGB installations.

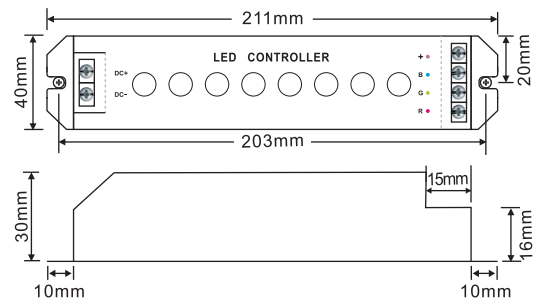
FEATURES

- Slim, lightweight and easy to carry handheld remote.
- Up to 98 Ft. remote distance.
- User friendly, full-color touch wheel for color selection.
- 2.4GHz RF wireless technology.
- Built-in 32 changing modes.

SPECIFICATIONS (RECEIVER) | MODEL: RGB-CT400

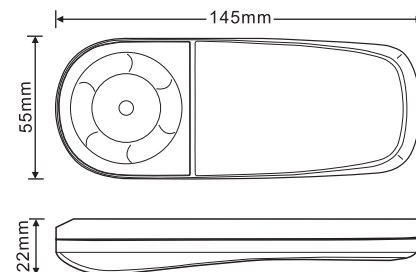
POWER INPUT	12 ~ 24V DC
MAX CURRENT LOAD	5A x 3CH MAX 15A
MAX OUTPUT POWER	180W (12V) 360W (24V)
WORKING TEMPERATURE	-30°C ~ 55°C
CONTROL BUTTON	8 Touch Button
DIMENSIONS	LxWxH (211mm x 40mm x 30mm)
WEIGHT (N.W.)	180g (0.39lbs)

DIMENSIONS



SPECIFICATIONS (REMOTE) | MODEL: RGB-CT400RX (SOLD SEPARATELY)

WORKING VOLTAGE	5V
POWER SOURCE	Built-in Lithium Battery
WORKING FREQUENCY	2.4 GHz
REMOTE DISTANCE	30m (98Ft)
REMOTE OPTION	Sync Control Unlimited Receivers
CHANGE MODE	32 Fantastic Modes
SCALE LEVELS	1024 x 1024 x 1024
BATTERY CAPACITY	1000mAh
STANDBY TIME	≤ months
DIMENSIONS	LxWxH (145mm x 55mm x 22mm)
WEIGHT	200g (0.44lbs)



*UP TO 10 RECEIVERS MAY BE PAIRED TO A SINGLE REMOTE. MULTIPLE REMOTES CANNOT BE PAIRED TO A SINGLE RECEIVER.
 *OPTIONAL MULTI-ZONE REMOTE AVAILABLE - RGB CT400RX-M

