

SPECIFICATION SHEET

JOB NAME: _____
 LOCATION: _____
 QUOTE/REF#: _____



PSDE-TW2-010 is a tunable White LED dimming module. This plug and play 0-10V dimming module controls smooth, dynamic dimming and color temperature shifts from 2000K to 8000K. It creates efficient, eye-catching color temperature changing effects without color distortion.

FEATURES

- 8-48VDC Input
- High Efficiency, up to 97%
- High precision dimming ratio: >1:1000
- Flicker-free 1-100% dimming and color temperature changing

APPLICATIONS

- Effect and Accent Lighting
- Architectural Lighting
- Signage
- General Illumination
- Warehouses
- Strip Lighting

INPUT SPECIFICATIONS

INPUT VOLTAGE RANGE	8-48V DC
INPUT CURRENT	5.1A max (per channel)
INPUT CONTROL	2
CONTROL VOLTAGE	0-10V
CONTROL RANGE	0-100%

OUTPUT SPECIFICATIONS

OUTPUT VOLTAGE RANGE	0.2-0.5V
MAX OUTPUT CURRENT	5A
MAX OUTPUT POWER	240W
POWER EFFICIENCY	97%
OUTPUT FREQUENCY	1kHz PWM
DIMMING RATIO	1:1000

ENVIRONMENT SPECIFICATIONS

IP RATING	IP65 wet / outdoor rated
AMBIENT TEMPERATURE	-20°C~60°C
STORAGE TEMPERATURE	-40°C~85°C
RELATIVE HUMIDITY	5%~95%

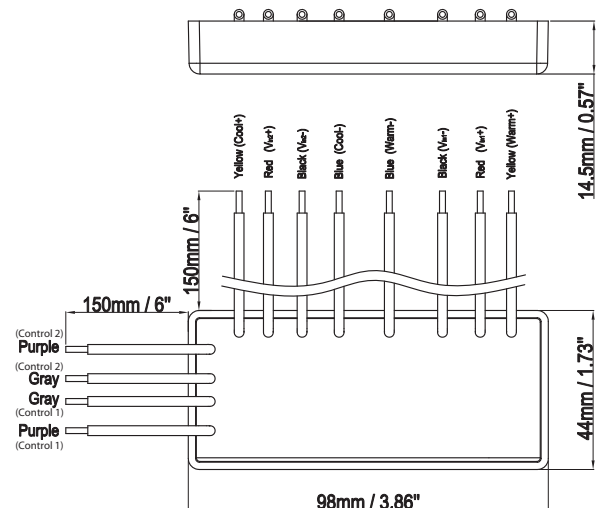
SAFETY / PROTECTION SPECIFICATIONS

SHORT CIRCUIT PROTECTION	Hiccup mode, Auto-Recovery
OVER TEMPERATURE PROTECTION	Auto-recovery
OVER VOLTAGE	Auto-recovery
UNDER VOLTAGE LOGOUT	Auto_recovery

MECHANICAL SPECIFICATIONS

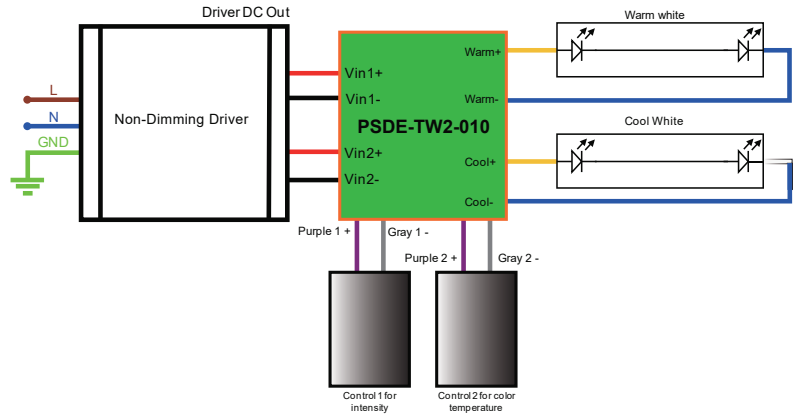
DIMENSIONS	3.86" (L) x 1.73" (W) x 0.57" (H)
CASE DESIGN/MATERIAL	PolyCarbonate White
WIRE LENGTH	6" Lead Wire
WIRE SIZE	18AWG

WIRING DIAGRAM / DIMENSIONS

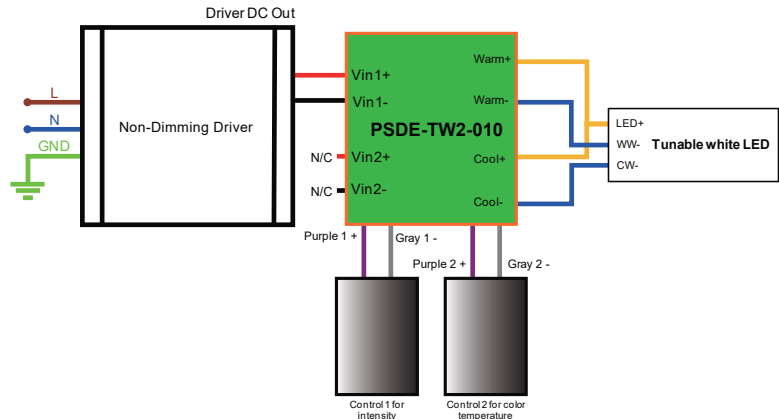


WIRING OPTIONS

Connection Method 1



Connection Method 2



Connection Method 3

