

SPECIFICATION SHEET

JOB NAME: _____
 LOCATION: _____
 QUOTE/REF#: _____



FEATURES

- Built-in Junction Box
- Universal Input Voltage
- 0-10V Dimmable
- Dimming down to 1%
- Suitable for Indoor or Outdoor Use
- Class 2
- Auto-Reset Feature



PSDE-60W-24V-010-JB is a constant voltage Class 2 LED driver that has a built-in junction box. Smooth 0-10 dimming delivers flicker-free dimming down to 1% with most LEDs and compatible dimmers. These drivers are IP65 rated for indoor or outdoor use on most residential, commercial or industrial applications. Universal input voltage ranges from 120 to 277 VAC for use with small to large scale applications. Advanced auto reset and short circuit protection features come standard for added safety.

INPUT SPECIFICATIONS

INPUT VOLTAGE	120-277 VAC
INPUT FREQUENCY	50 / 60 Hz
INPUT CURRENT	0.96A Max
INRUSH CURRENT	5A Max @ 120V / 23.7A Max @ 277V
EFFICIENCY	> 87% Max
POWER FACTOR	> 0.95
TOTAL HARMONIC DISTORTION (THD)	< 20%

OUTPUT SPECIFICATIONS

MAX OUTPUT POWER	60W
OUTPUT VOLTAGE	24V DC
OUTPUT CURRENT	2600mA Max
OUTPUT CURRENT RIPPLE	> 3%
LINE REGULATION	> 2%
LOAD REGULATION	> 3%
TURN ON DELAY TIME	> 0.3 sec

DIMMING SPECIFICATIONS

DIMMING CONTROL	0-10V
MINIMUM DIMMING LEVEL	1%
DIMMING CURVES	Linear
CURRENT CONSUMPTION	0.35mA / source

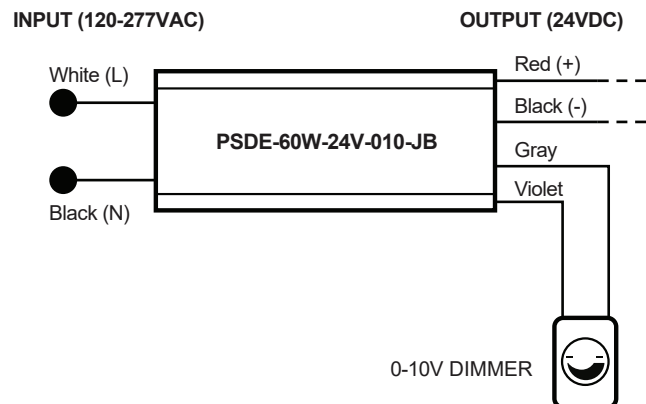
ENVIRONMENT SPECIFICATIONS

ENV. PROTECTION RATING	IP65
OPERATING AMBIENT TEMP	-25°C ± 40°C
MAX CASE TEMP (Tcase)	65°C
STORAGE TEMP	-40°C ± 85°C
LIFESPAN	50,000 Hours (> 65°C) Tc
AUDIBLE NOISE	> 24db Class A
DIMENSIONS (L X W X H)	12.1" X 2.36" X 1.4"

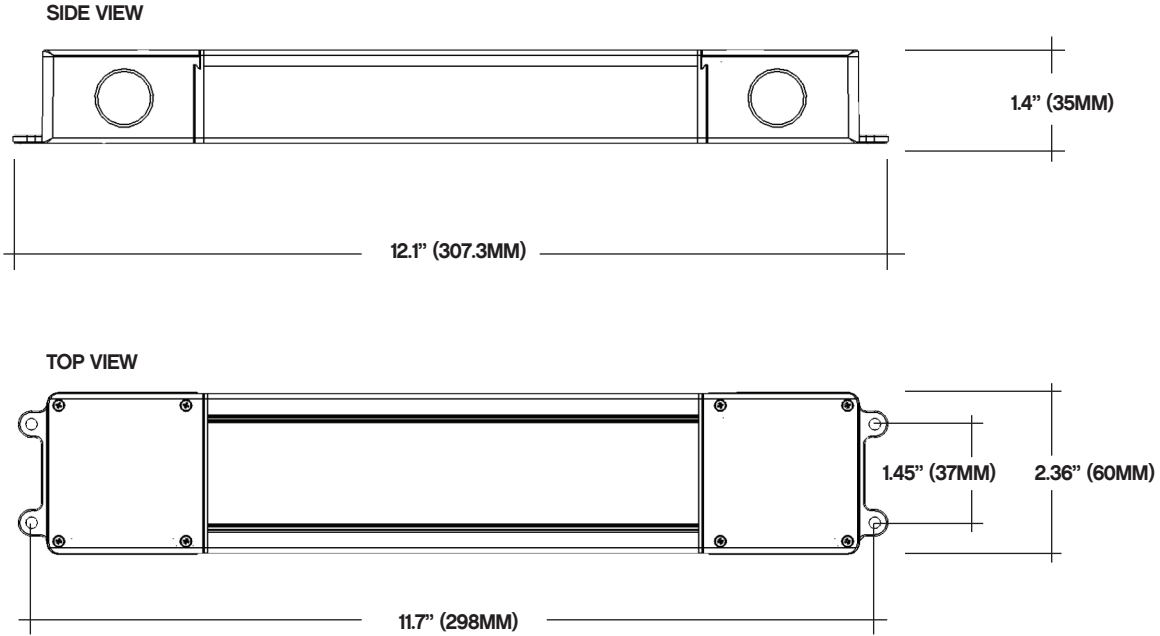
SAFETY / PROTECTION SPECIFICATIONS

OVER CURRENT PROTECTION	YES
OVER VOLTAGE PROTECTION	YES
OVER TEMPERATURE PROTECTION	YES; Hiccup mode
OVER LOAD PROTECTION	YES; CC mode
SHORT CIRCUIT PROTECTION	YES; Hiccup mode

WIRING DIAGRAM



JUNCTION BOX DIAGRAM AND DIMENSIONS



INSTALLATION GUIDE

MOUNTING

Select a suitable and proper location to mount the driver. Consider the weight of the driver to be supported.

INPUT CONNECTIONS / GROUNDING

1. Remove input wiring cover and install clamp connectors.
2. Make sure power is turned off. Route input wires and make connections based on wiring diagram following the INPUT side.
3. Make sure that driver is properly grounded in accordance with the N.E.C.

OUTPUT CONNECTIONS

1. Remove output wiring cover and install clamp connectors.
2. Make sure power is turned off. Route fixture wires and make connections based on wiring diagram following the OUTPUT side.

0-10V DIMMING

1. Make sure power is turned off.
2. Connect dimmer based on wiring diagram. Follow wire connections using suitable wire connectors .

COMPATIBLE DIMMERS

LUTRON	Diva - DVTV
	Diva - NFTV
	Nova T - NTVTV
LEVITON	IllumaTech - IP7
WATT STOPPER	DCLV1
LIGHTOLIER	ZP600FAM120
PHILLIPS	Sunrise - SR1200ZTUNV