

SPECIFICATION SHEET

JOB NAME: _____
 LOCATION: _____
 QUOTE/REF#: _____



The LSD-50RGB Mini Modules incorporate the latest technological advancements in Color Changing LED technology to deliver a variety of color options with maximum lumen output. Ideal for many common indoor and outdoor applications, and can be attached to most surfaces with adhesive backing and screw mount. Capable of producing 60 Lumens per Watt with very little heat. UL listed.

FEATURES

- LED modules sealed to IP65 standards
- Low Voltage, Energy-efficient
- Field cuttable (between modules)
- Peel and stick adhesive back or screw mount
- Ideal for concealed lighting, back lighting, signage and letter lighting

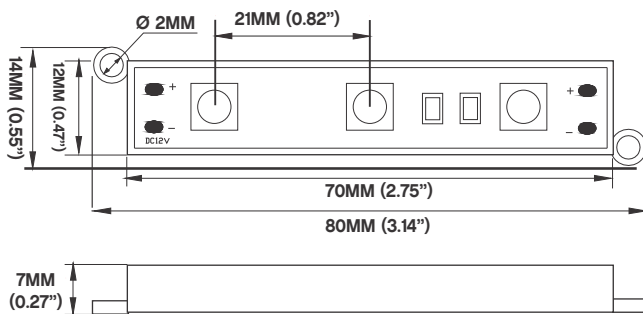
RGB COLOR SPECTRUM



SPECIFICATIONS

INPUT VOLTAGE	12V DC
POWER CONSUMPTION	0.72W per module
LUMEN OUTPUT	60 Lumens per Watt
DIMMING	Dimmable thru RGB controller
WEIGHT	5g each module
CONNECTOR	Four pigtail wire
HOUSING	PVC
LED TYPE	5050 SMD Tri Chip (3x3)
LED ANGLE	120°
IP RATING	IP65 not including connection
MAX RUN	50 modules (3A)
LUMEN MAINTENANCE	40,000 Hours

DIMENSIONS



ORDERING GUIDE | EX: LSP-50RGB-100-24

LSD50RGB			
MODEL	MODULE SPACING	VOLTAGE	LEAD WIRE
	2 - 2" 4 - 4" 6 - 6"	12 - 12V DC	N/A - 24" XX - Custom length per inch

LSD-50RGB 4.4W Color Changing Indoor LED Strip

COMPATIBLE RGB CONTROLLERS

TOUCH SERIES														
RGB-CT330	RECEIVING CONTROLLER <table border="1"> <tr><td>INPUT</td><td>12V - 24V DC</td></tr> <tr><td>MAX OUTPUT CURRENT</td><td>3A X 3CH</td></tr> <tr><td>MAX OUTPUT POWER</td><td>108W(12V), 216W (24V)</td></tr> <tr><td>WORKING TEMP</td><td>-30°C ~ 55°C</td></tr> <tr><td>WEIGHT (gross)</td><td>135g</td></tr> </table>	INPUT	12V - 24V DC	MAX OUTPUT CURRENT	3A X 3CH	MAX OUTPUT POWER	108W(12V), 216W (24V)	WORKING TEMP	-30°C ~ 55°C	WEIGHT (gross)	135g			
	INPUT	12V - 24V DC												
MAX OUTPUT CURRENT	3A X 3CH													
MAX OUTPUT POWER	108W(12V), 216W (24V)													
WORKING TEMP	-30°C ~ 55°C													
WEIGHT (gross)	135g													
HANDHELD REMOTE <table border="1"> <tr><td>INPUT VOLTAGE</td><td>3V (CR2032 battery)</td></tr> <tr><td>WORKING FREQUENCY</td><td>433.92MHz</td></tr> <tr><td>REMOTE DISTANCE</td><td>90ft.</td></tr> <tr><td>WORKING TEMP</td><td>-30°C ~ 55°C</td></tr> <tr><td>WEIGHT (gross)</td><td>42g</td></tr> </table>	INPUT VOLTAGE	3V (CR2032 battery)	WORKING FREQUENCY	433.92MHz	REMOTE DISTANCE	90ft.	WORKING TEMP	-30°C ~ 55°C	WEIGHT (gross)	42g				
INPUT VOLTAGE	3V (CR2032 battery)													
WORKING FREQUENCY	433.92MHz													
REMOTE DISTANCE	90ft.													
WORKING TEMP	-30°C ~ 55°C													
WEIGHT (gross)	42g													
RGB-CT400	RECEIVING CONTROLLER <table border="1"> <tr><td>INPUT</td><td>12V - 24V DC</td></tr> <tr><td>MAX OUTPUT CURRENT</td><td>5A X 3CH, 15A Max</td></tr> <tr><td>MAX OUTPUT POWER</td><td>180W(12V), 360W (24V)</td></tr> <tr><td>CONTROL BUTTON</td><td>8 touch button</td></tr> <tr><td>WORKING TEMP</td><td>-30°C ~ 55°C</td></tr> <tr><td>WEIGHT (gross)</td><td>180g</td></tr> </table>	INPUT	12V - 24V DC	MAX OUTPUT CURRENT	5A X 3CH, 15A Max	MAX OUTPUT POWER	180W(12V), 360W (24V)	CONTROL BUTTON	8 touch button	WORKING TEMP	-30°C ~ 55°C	WEIGHT (gross)	180g	
	INPUT	12V - 24V DC												
MAX OUTPUT CURRENT	5A X 3CH, 15A Max													
MAX OUTPUT POWER	180W(12V), 360W (24V)													
CONTROL BUTTON	8 touch button													
WORKING TEMP	-30°C ~ 55°C													
WEIGHT (gross)	180g													
RGB-CT400RX (SOLD SEPARATELY) HANDHELD REMOTE <table border="1"> <tr><td>INPUT VOLTAGE</td><td>5V DC (Built-in Lithium battery)</td></tr> <tr><td>WORKING CURRENT</td><td><30mA</td></tr> <tr><td>WORKING FREQUENCY</td><td>2.4GHz</td></tr> <tr><td>REMOTE DISTANCE</td><td>90ft.</td></tr> <tr><td>CHANGE MODE</td><td>32 modes</td></tr> <tr><td>WEIGHT (gross)</td><td>200g</td></tr> </table>	INPUT VOLTAGE	5V DC (Built-in Lithium battery)	WORKING CURRENT	<30mA	WORKING FREQUENCY	2.4GHz	REMOTE DISTANCE	90ft.	CHANGE MODE	32 modes	WEIGHT (gross)	200g		
INPUT VOLTAGE	5V DC (Built-in Lithium battery)													
WORKING CURRENT	<30mA													
WORKING FREQUENCY	2.4GHz													
REMOTE DISTANCE	90ft.													
CHANGE MODE	32 modes													
WEIGHT (gross)	200g													

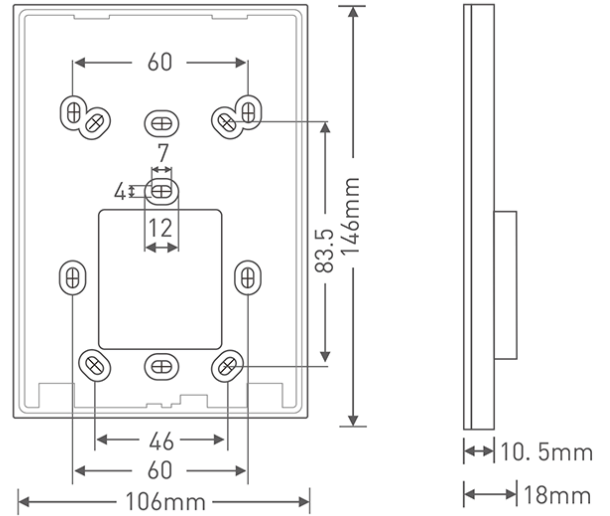
LSD-50RGB 4.4W Color Changing Indoor LED Strip

COMPATIBLE RGB CONTROLLERS

WALL CONTROLLERS

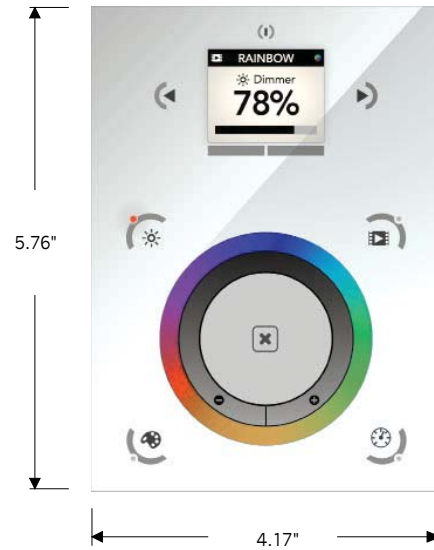
RGB-CT600

INPUT VOLTAGE	5V DC, 1A
OUTPUT SIGNAL	RF 2.4GHz + DMX512
CONTROL	4 ZONES
WORKING TEMP	-30°C ~ 55°C
WEIGHT (gross)	370g



RGB-SDE3

INPUT POWER	6V DC 0.6A
OUTPUT SIGNAL	DMX512 (x2)
PROGRAMMABILITY	PC, MAC, Tablet, Smartphone
AVAILABLE COLORS	Black / White
CONNECTIONS	USB, Ethernet, RS232, Clock, 8dry contact ports, 5V output relay
MEMORY	microSD card
WORKING TEMP	-10°C ~ 45°C
MOUNTING	Single or double gang wall socket
WEIGHT (gross)	247g



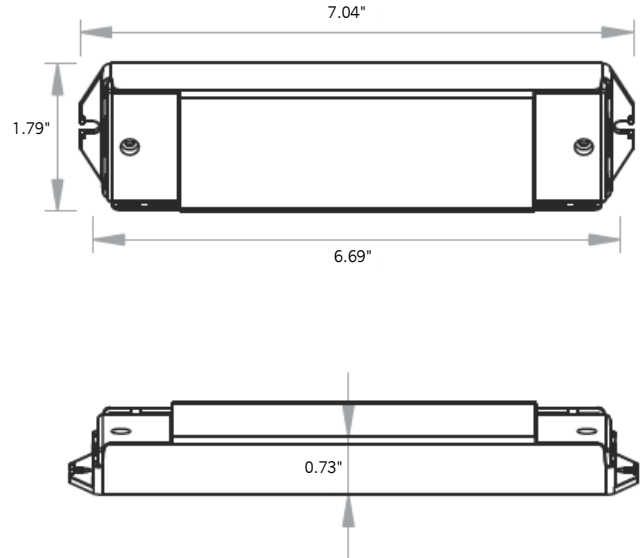
LSD-50RGB 4.4W Color Changing Indoor LED Strip

COMPATIBLE RGB CONTROLLERS

DMX SERIES

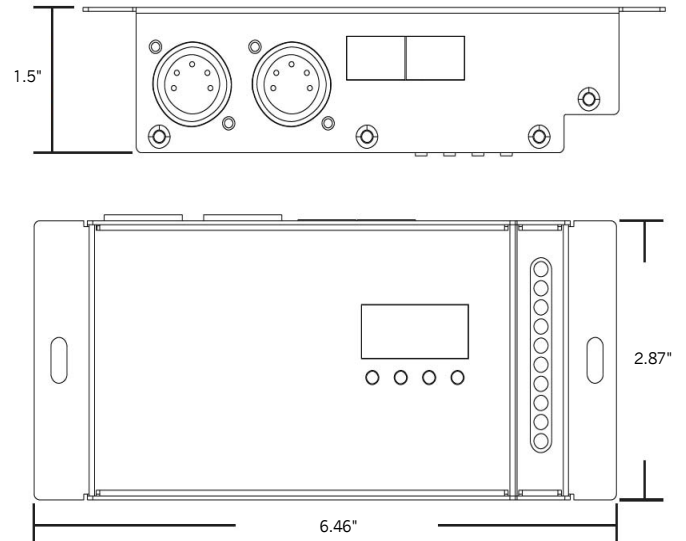
RGB-DMX4C

INPUT	12V - 24V DC
OUTPUT CURRENT	8A X 4CH
OUTPUT POWER	240W(12V), 720W (24V)
OUTPUT CHANNELS	3 or 4 selectable



RGB-DMX5C-XLR

INPUT	12V-24V-36V DC
OUTPUT CURRENT	8A X 5CH



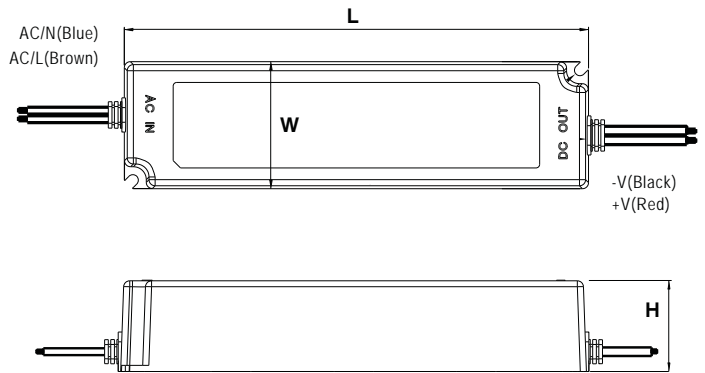
LSD-50RGB 4.4W Color Changing Indoor LED Strip

COMPATIBLE NON-DIMMING TRANSFORMERS

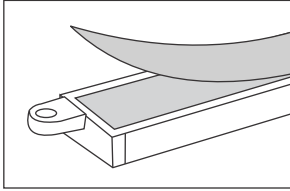
HARDWIRE CONSTANT VOLTAGE

		CLASS 2	L X W X H
PSHW SERIES 12V	PSHW-10W-12V	YES	2.55" X 1.37" X .90"
	PSHW-20W-12V	YES	4.64" X 1.38" X 1.2"
	PSHW-35W-12V	YES	5.83" X 1.57" X 1.18"
	PSHW-60W-12V	YES	6.38" X 1.65" X 1.18"
	PSHW-100W-12V	NO	7.44" X 2.4" X 1.45"
	PSHW-150W-12V	NO	8.75" X 2.68" X 1.53"
	PSHW-200W-12V	NO	9.62" X 2.68" X 1.53"
	PSHW-300W-12V	NO	9.92" X 3.55" X 1.75"

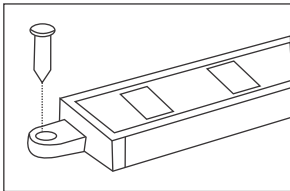
		CLASS 2	L X W X H
PSHW SERIES 24V	PSHW-10W-24V	YES	2.55" X 1.37" X .90"
	PSHW-20W-24V	YES	4.64" X 1.38" X 1.2"
	PSHW-35W-24V	YES	5.83" X 1.57" X 1.18"
	PSHW-60W-24V	YES	6.38" X 1.65" X 1.18"
	PSHW-100W-24V	NO	7.44" X 2.4" X 1.45"
	PSHW-150W-24V	NO	8.75" X 2.68" X 1.53"
	PSHW-200W-24V	NO	9.62" X 2.68" X 1.53"
	PSHW-300W-24V	NO	9.92" X 3.55" X 1.75"



WIRING GUIDE



ADHESIVE BACKING



SCREW FASTENERS

