

SPECIFICATION SHEET

JOB NAME: _____
 LOCATION: _____
 QUOTE/REF#: _____



The **DOT100** is an indoor/ outdoor, wet rated LED fixture designed for intense, spotlighting applications. Its powerful light beam is delivered via 3 CREE LED chips at 195 Lumens. A stainless steel housing gives it a sleek and modern look making it ideal for use in display cabinets and cases, retail windows, shelves and indoor or outdoor accent lighting.

FEATURES

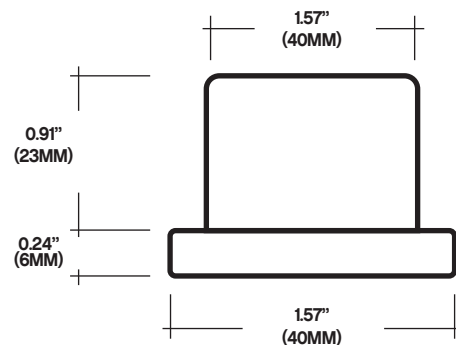
- Indoor / outdoor rated
- Compact, sleek design
- 36" lead wire
- High-quality CREE LED chips
- Highly durable stainless steel finish
- Dimmable with CORE Lighting dimmable transformers
- Suitable for surface mount applications

SPECIFICATIONS

INPUT VOLTAGE	12V DC
POWER CONSUMPTION	3W
LUMEN OUTPUT	195Lm
BEAM ANGLE	15° / 25° / 40°
CCT	2700K / 3000K / 4000K / BLUE
CRI	85+
DIMMING	MLV, ELV and TRIAC
IP RATING	IP65 Wet rated
MOUNTING	Surface mount
LEAD WIRE	36"
OPERATING TEMPERATURE	-4 ~ 122°F (-20 ~ 50°C)
AMBIENT TEMPERATURE	-4 ~ 176°F (-20 ~ 80°C)
LUMEN MAINTENANCE	50,000 hrs.
FINISH	Stainless Steel

	CCT	CRI	LUMEN
	2700	85+	182
	3000	85+	182
	4000	85+	182
	BLUE	N/A	84

DIMENSIONS



ORDERING GUIDE EX: DOT100-3-30K-25-SS-12V

DOT100					
MODEL	WATTAGE	COLOR TEMP	OPTICS	FINISH	VOLTAGE
	3 - 3WATTS	27K - 2700K 30K - 3000K 40K - 4000K BL - BLUE	15 - 15° 25 - 25° 45 - 45°	SS - Stainless Steel	12V - 12V DC

DOT-100 3W 12VDC Indoor / Outdoor LED Fixture

COMPATIBLE DIMMABLE TRANSFORMERS

MAGNETIC LOW VOLTAGE (MLV)

		CLASS 2	L X W X H
PSDM SERIES	PSDM-20W-12V	YES	5.6" X 2" X 2.14"
	PSDM-40W-12V	YES	5.6" X 2" X 2.14"
	PSDM-60W-12V	YES	6.5" X 2.3" X 2.5"
	PSDM-100W-12V	NO	9.8" X 3" X 3"
	PSDM-150W-12V	NO	9.8" X 3" X 3"
	PSDM-180W-12V-CL2	YES	9.8" X 3" X 3"
	PSDM-200W-12V	NO	9.8" X 3" X 3"
	PSDM-300W-12V	NO	9.8" X 4.2" X 3.5"
PSDM-300W-12V-CL2	YES	7.0" X 7.0" X 3.2"	
PSDM SERIES	PSDM-20W-24V	YES	5.6" X 2" X 2.14"
	PSDM-40W-24V	YES	5.6" X 2" X 2.14"
	PSDM-60W-24V	YES	6.5" X 2.2" X 2.5"
	PSDM-100W-24V-CL2	YES	6.5" X 2.2" X 2.5"
	PSDM-150W-24V	NO	9.8" X 3" X 3"
	PSDM-192W-24V-CL2	YES	7.0" X 7.0" X 3.2"
	PSDM-200W-24V	NO	9.8" X 3" X 3"
	PSDM-300W-24V	NO	9.8" X 4.2" X 3.5"
PSDM-288W-24V-CL2	YES	7.0" X 7.0" X 3.2"	

* 277 VERSIONS AVAILABLE, PLEASE CONSULT FACTORY

HIGH PERFORMANCE MLV

		CLASS 2	L X W X H
PSDH SERIES	PSDH-48W-24V	YES	11.25" X 3.37" X 3.25"
	PSDH-96W-24V	YES	11.25" X 3.37" X 3.25"
	PSDH-288W-24V	YES	14.25" X 8.43" X 4.43"

* 277 VERSIONS AVAILABLE, PLEASE CONSULT FACTORY

TRIAC DIMMING ELECTRONIC

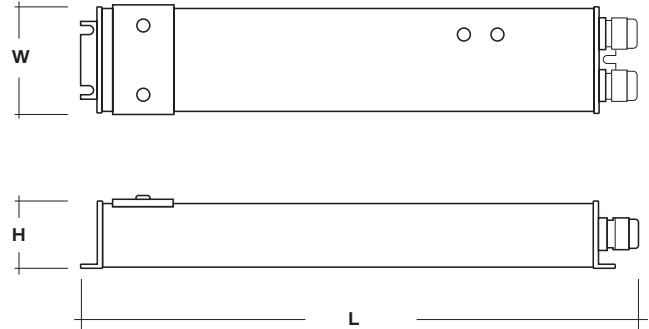
		CLASS 2	L X W X H
PSDT SERIES	PSDT-20W-12V	YES	6.1" X 2.12" X 0.79"
	PSDT-20W-24V	YES	6.1" X 2.12" X 0.79"
	PSDT-40W-12V	YES	7.0" X 2.4" X 0.95"
	PSDT-40W-24V	YES	7.0" X 2.4" X 0.95"
	PSDT-60W-12V	YES	7.1" X 2.36" X 1.38"
	PSDT-60W-24V	YES	7.1" X 2.36" X 1.38"
	PSDT-96W-24V-JB	YES	9.06" X 2.76" X 1.82"
	PSDT-120W-12V-JB	NO	8.92" X 3.0" X 1.85"
	PSDT-150W-24V-JB	NO	8.92" X 3.0" X 1.85"
	PSDT-200W-24V-JB	NO	8.92" X 3.0" X 1.85"

COMPATIBLE DIMMABLE TRANSFORMERS

0-10 DIMMING WITH JUNCTION BOX



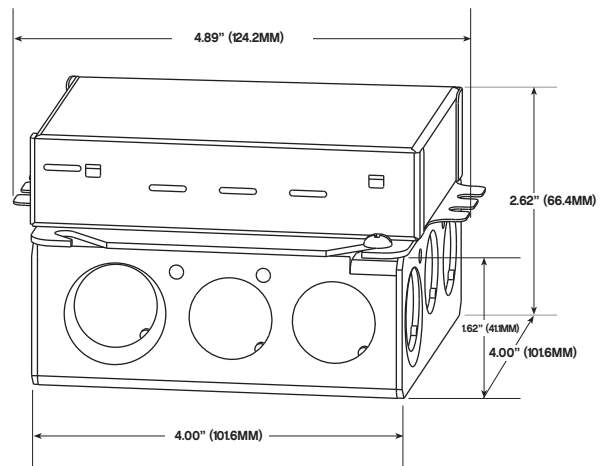
PSDE SERIES	CLASS 2	L X W X H
PSDE-100W-24V-010-JB	YES	12.32" X 1.77" X 1.67"



LUTRON 1% DIMMING



PSDT SERIES	CLASS 2
2-WIRE	
LTEA4U1UKL-CV240	YES
3-WIRE	
L3DA4U1UKL-CV240	YES



LUTRON .1% DIMMING



PSDE SERIES	CLASS 2	L X W X H
PSDE-96W-24V-ECO	YES	5.5" X 2.0" X 10.5"

