

SPECIFICATION SHEET

JOB NAME: _____
 LOCATION: _____
 QUOTE/REF#: _____



The CTL-430 is a powerful LED track head luminaire that delivers up to 3000 lumens of light. It features rotating and tilt functions for added beam angle versatility. An integrated class 2 isolated driver is built into the housing to provide a minimalist appearance. Available in a wide array of beam angles, track adapters and color temperatures.

FEATURES

- Adjustable beam angle
- Available in Black, White and Silver
- 355° rotation, 150° Tilt
- Dimmable down to 1%
- Die-cast aluminum heat sink for optimal thermal management
- Available in white and black finishes
- Spot, Flood and Wide Flood optic options
- Integrated Class 2 driver
- Dry and damp locations
- TRIAC / ELV dimmable

SPECIFICATIONS

INPUT VOLTAGE	120-277VAC 50-60Hz
POWER CONSUMPTION	29W / 37W
LUMEN OUTPUT	3000 Lm / 2200 Lm
OPTICS	Spot 19° / Flood 30° / Wide Flood 45°
ADAPTER	Compatible with H, J and L type systems
COLOR TEMPERATURE	2700K / 3000K / 3500K / 4000K
CRI	80+
FINISH OPTIONS	White / Black
DIMMING	TRIAC / ELV
LUMEN MAINTENANCE	50,000 Hrs.
ADJUSTABILITY	355° Rotation / 150° Tilt
DRIVER	Integrated Class 2, power factor >.90

FINISH	CRI	LUMEN
--------	-----	-------



80+

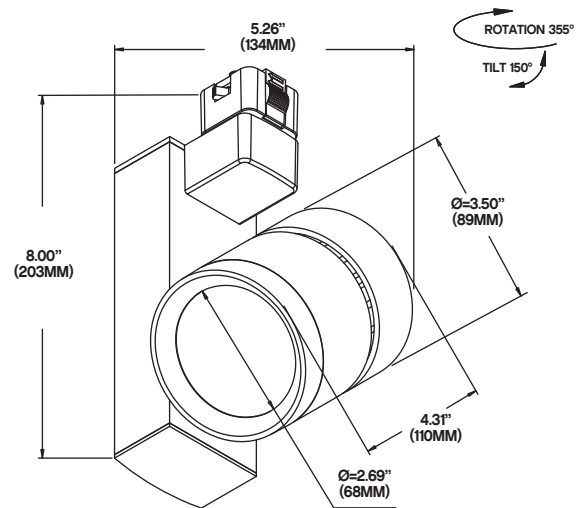
700



80+

700

DIMENSIONS



29W
37W

up to
3000
lumens

80+
CRI

INDOOR

DRY &
DAMP
LOCATION

50,000
HOURS

DIMMABLE



ORDERING GUIDE EX: CTL430-L3-30K-BK-SP-HT-120

CTL-430	WATTAGE	COLOR TEMP	FINISH	OPTICS	ADAPTER	VOLTAGE
MODEL	L3 - 29W / 2200lm L4 - 37W / 3000lm	27K - 2700K 30K - 3000K 35K - 3500K 40K - 4000K	WH - WHITE BK - BLACK	SP - 19° Spot FL - 30° Flood WF - 45° Wide	H - Halo type J - Juno type L - Lightolier type	120 - 120V 277 - 277V

CTL-430 3000 Lumen LED Track Head

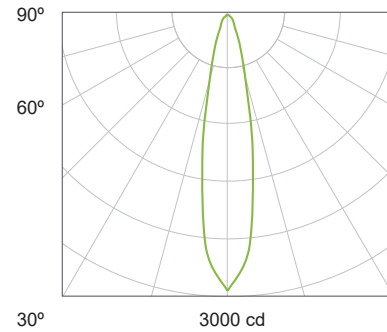
PHOTOMETRICS

29W | 80CRI | 3000K | 2200 lm

Delivered Output : 2990 lm | CBCP : 10025 cd | Beam Angle : 19°

Center Beam Intensity	Beam Width	Height
8176 lx	39cm	1m
2044 lx	78cm	2m
908 lx	118cm	3m
511 lx	157cm	4m
327 lx	196cm	5m

Spot 19°

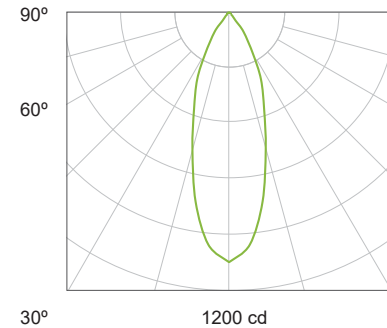


29W | 80CRI | 3000K | 2200 lm

Delivered Output : 3024 lm | CBCP : 6148 cd | Beam Angle : 30°

Center Beam Intensity	Beam Width	Height
6859 lx	47cm	1m
1715 lx	95cm	2m
762 lx	143cm	3m
428 lx	190cm	4m
274 lx	238cm	5m

Flood 30°

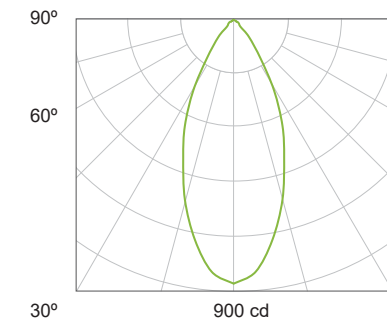


29W | 80CRI | 3000K | 2200 lm

Delivered Output : 590 lm | CBCP : 883 cd | Beam Angle : 45°

Center Beam Intensity	Beam Width	Height
3516 lx	81cm	1m
879 lx	162cm	2m
390 lx	243cm	3m
219 lx	324cm	4m
140 lx	405cm	5m

Wide Flood 45°



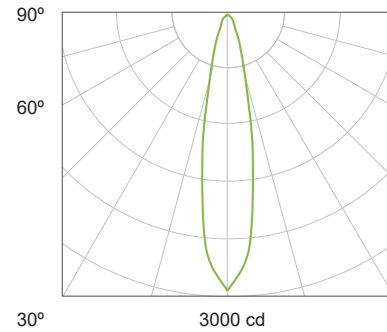
PHOTOMETRICS

37W | 80CRI | 3000K | 3000 lm

Delivered Output : 2990 lm | CBCP : 10025 cd | Beam Angle : 19°

Center Beam Intensity	Beam Width	Height
10009 lx	42cm	1m
2502 lx	84cm	2m
1112 lx	126cm	3m
626 lx	169cm	4m
400 lx	211cm	5m

Spot 19°

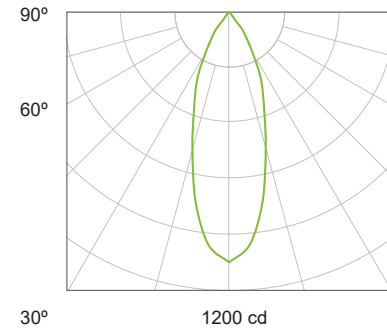


37W | 80CRI | 3000K | 3000 lm

Delivered Output : 3024 lm | CBCP : 6148 cd | Beam Angle : 30°

Center Beam Intensity	Beam Width	Height
8408 lx	52cm	1m
2102 lx	104cm	2m
934 lx	156cm	3m
526 lx	208cm	4m
336 lx	260cm	5m

Flood 30°



37W | 80CRI | 3000K | 3000 lm

Delivered Output : 590 lm | CBCP : 883 cd | Beam Angle : 45°

Center Beam Intensity	Beam Width	Height
6148 lx	67cm	1m
1537 lx	134cm	2m
683 lx	201cm	3m
384 lx	268cm	4m
246 lx	335cm	5m

Wide Flood 45°

