





CTL TRACK SERIES INSTALLATION GUIDE

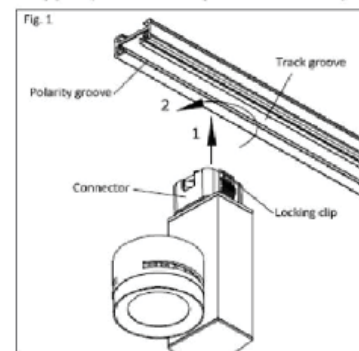
When installing or using the track system, basic safety precautions should always be followed, including the following:

-  Read all instructions before attempting to install the item.
-  Make certain power is off from the main electrical panel before starting installation or attempting any maintenance.
-  DO NOT install this lighting system in a damp or wet location.
-  Ensure the appropriate track connector is matched up with its compatible track rail.

J-Type (Juno compatible track)

1. Place the connector into the track groove and make sure that the side with the locking clip is opposite the polarity groove on the track.
2. Push Towards Track and turn counter clockwise 90°.
3. To remove the fixture, pull the locking clip downwards (away from the track) and turn clockwise 90°.
4. Once assembly is complete, turn on power to confirm fixture is working properly.

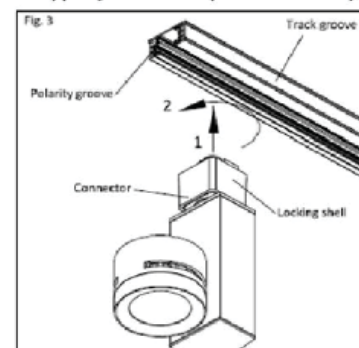
J-type (Juno Compatible Track)



H-type (Halo Compatible Track)

1. Place the connector into track groove and make sure that the side with the locking clip is opposite the polarity groove on the track.
2. Push towards track and turn counter clockwise 90°.
3. To remove the fixture, pull the locking clip downwards (away from the track) and turn clockwise 90°.
4. Once assembly is complete, turn on power to confirm fixture is working properly.

H-type (Halo Compatible Track)



L-type (Lightolier Compatible Track)

1. Place the connector into track groove and make sure that the side with the locking clip is opposite the polarity groove on the track.
2. Push towards track and turn counter clockwise 90°.
3. To remove the fixture, pull the locking clip downwards (away from the track) and turn clockwise 90°.
4. Once assembly is complete, turn on power to confirm fixture is working properly.

L-type (Lightolier Compatible Track)

