

## SPECIFICATION SHEET

JOB NAME: \_\_\_\_\_  
 LOCATION: \_\_\_\_\_  
 QUOTE/REF#: \_\_\_\_\_



**PSDH-96W-24V** High Performance DC Dimming Drivers provide a solid reliable source of power in any commercial application. Integrated with AC ripple and Pure DC Technology, ensures LED's are not overdriven due to repeated excess current and prolong the lifetime of LED lighting system. Compatible with MLV forward phase dimming systems. Available in 24V DC. UL listed, Class 2 Rated.

### FEATURES

- Pure DC Current Technology
- Dimmable with MLV Forward Phase Dimmers
- NEMA 3R Indoor / Outdoor Enclosure
- AC Ripple Technology
- Manual Reset Overload Protection
- Made in The USA
- Easy installation



### INPUT

|                          |         |
|--------------------------|---------|
| INPUT VOLTAGE            | 120V AC |
| INPUT FREQUENCY          | 50/60Hz |
| INPUT CURRENT @ MAX LOAD | 0.63A   |

### OUTPUT

|                           |        |
|---------------------------|--------|
| OUTPUT VOLTAGE            | 24V DC |
| OUTPUT CURRENT @ MAX LOAD | 4A     |
| OUTPUT WATTAGE            | 96W    |

### ADDITIONAL SPECIFICATIONS

|                                 |                                |
|---------------------------------|--------------------------------|
| TOTAL HARMONIC DISTORTION (THD) | (0~90%) 0.0% / (90~100%) 0.01% |
| DIMMING                         | MLV Forward Phase              |
| WIRE TERMINAL CONNECTION        | 18AWG                          |
| HOUSING / COOLING               | Free-air convection            |

### SPECIFICATIONS

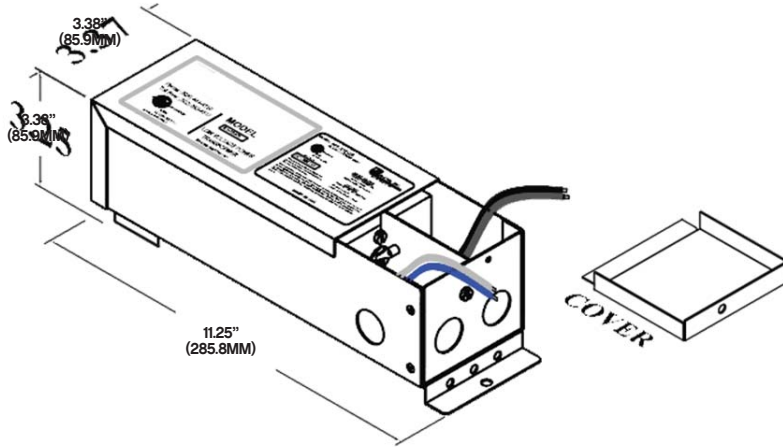
|                       |                              |
|-----------------------|------------------------------|
| CLASS 2               | YES                          |
| LOAD REGULATION       | 2%                           |
| LINE REGULATION       | 5%                           |
| INPUT FREQUENCY       | 50-60 Hz                     |
| POWER FACTOR          | .85 typical                  |
| EFFICIENCY            | 80% typical                  |
| MTBF                  | 100,000 hrs.                 |
| OPERATING ENVIRONMENT | -30°C ~ 60°C (-22°F ~ 140°F) |
| FUNCTION SURFACE TEMP | -40 to +80 (25 C AMB)        |
| STORAGE TEMPERATURE   | -65°C ~ 90°C (-85°F ~ 194°F) |
| HUMIDITY              | 100 (Non Cond)               |
| LENGTH                | 11.25" (285.8MM)             |
| WIDTH                 | 3.38" (85.9MM)               |
| HEIGHT                | 3.38" (85.9MM)               |
| WEIGHT                | 8lbs                         |

### MISC

|                |                                |
|----------------|--------------------------------|
| CERTIFICATIONS | UL Listed Class 2 Power Supply |
| CONSTRUCTION   | Indoor/Outdoor NEMA-3          |
| WALL MOUNTING  | Conduit Access Class 1 Wiring  |
| WARRANTY       | 3 Year Limited                 |



## DIAGRAM AND DIMENSIONS



### INSTALLATION GUIDE

**THIS TRANSFORMER IS ONLY TO BE INSTALLED BY A QUALIFIED TECHNICIAN IN ACCORDANCE WITH NATIONAL AND LOCAL ELECTRICAL CODES**

#### BEFORE YOU BEGIN

Make sure the transformer has the proper input voltage and wattage for the intended job. Check wiring and make sure they match the diagram on this guide.

#### MOUNTING

Select a suitable and proper location to mount the driver. Consider the weight of the driver to be supported.

#### INPUT CONNECTIONS / GROUNDING

1. Remove input wiring cover and install strain reliefs.
2. Make sure power is turned off. Route input wires and make connections based on wiring diagram following the INPUT side.
3. Make sure that driver is properly grounded in accordance with the N.E.C.

#### OUTPUT CONNECTIONS

1. Remove output wiring cover and install clamp connectors.
2. Make sure power is turned off. Route fixture wires and make connections based on wiring diagram following the OUTPUT side.

### WIRING DIAGRAM

