

SPECIFICATION SHEET

JOB NAME: _____
 LOCATION: _____
 QUOTE/REF#: _____



PSDM-300W-24V is a constant voltage LED driver equipped with a magnetic transformer core. It features built-in protection for both the load and the driver via push to reset circuit breakers (one on the input and one on the output). Its durable, coated metal box includes knock-outs for easy installation that complies with electrical code standards. Compatible with any standard MLV/incandescent TRIAC (leading edge) dimmer switch.

FEATURES

- 300W 24V
- Dimmable
- NEMA 3R - outdoor use
- Low operating temperature
- Four bottom knock-outs
- Push to reset circuit breakers
- Easy installation



INPUT SPECIFICATIONS

INPUT VOLTAGE	120 VAC
INPUT CURRENT @ MAX LOAD	2.86A
POWER FACTOR	> 0.93
EFFICIENCY	> 85%

OUTPUT SPECIFICATIONS

MAX LOAD	300W
OUTPUT VOLTAGE	23.5 VDC @ full load
OUTPUT CURRENT @ MAX LOAD	12.5A
OPEN CIRCUIT OUTPUT VOLTAGE	25.5V DC
COIL FORMER	Double Section Bobbin

ENVIRONMENT SPECIFICATIONS

OPERATING TEMPERATURE	-30°C ~ 45°C (-22°F ~ 113°F)
MIN INSTALLATION SPACE BET DRIVERS	5"
THERMAL CLASS	B130°C

SAFETY PROTECTION SPECIFICATIONS

CIRCUIT BREAKER	Primary and secondary push to reset
-----------------	--

MECHANICAL/HOUSING SPECIFICATIONS

LEADS PRIMARY	PVC 600V #18
LEADS SECONDARY	PVC 300V #12
LENGTH	10.04" (255.1mm)
WIDTH	4.21" (107mm)
HEIGHT	3.5" (88.8mm)
WEIGHT	140oz (3.97 kg)
HOUSING MATERIAL	coated metal
HOUSING COLOR	Black
JUNCTION BOX	yes
MOUNTING	two-hole flange mounting

WIRING DIAGRAM

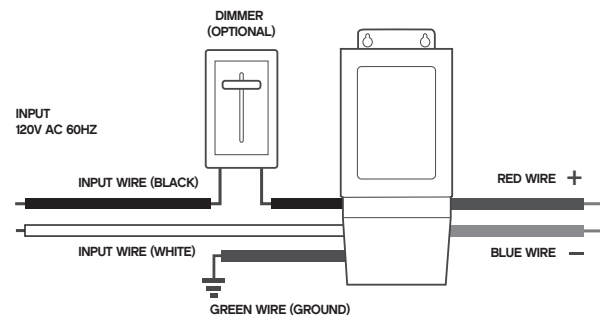
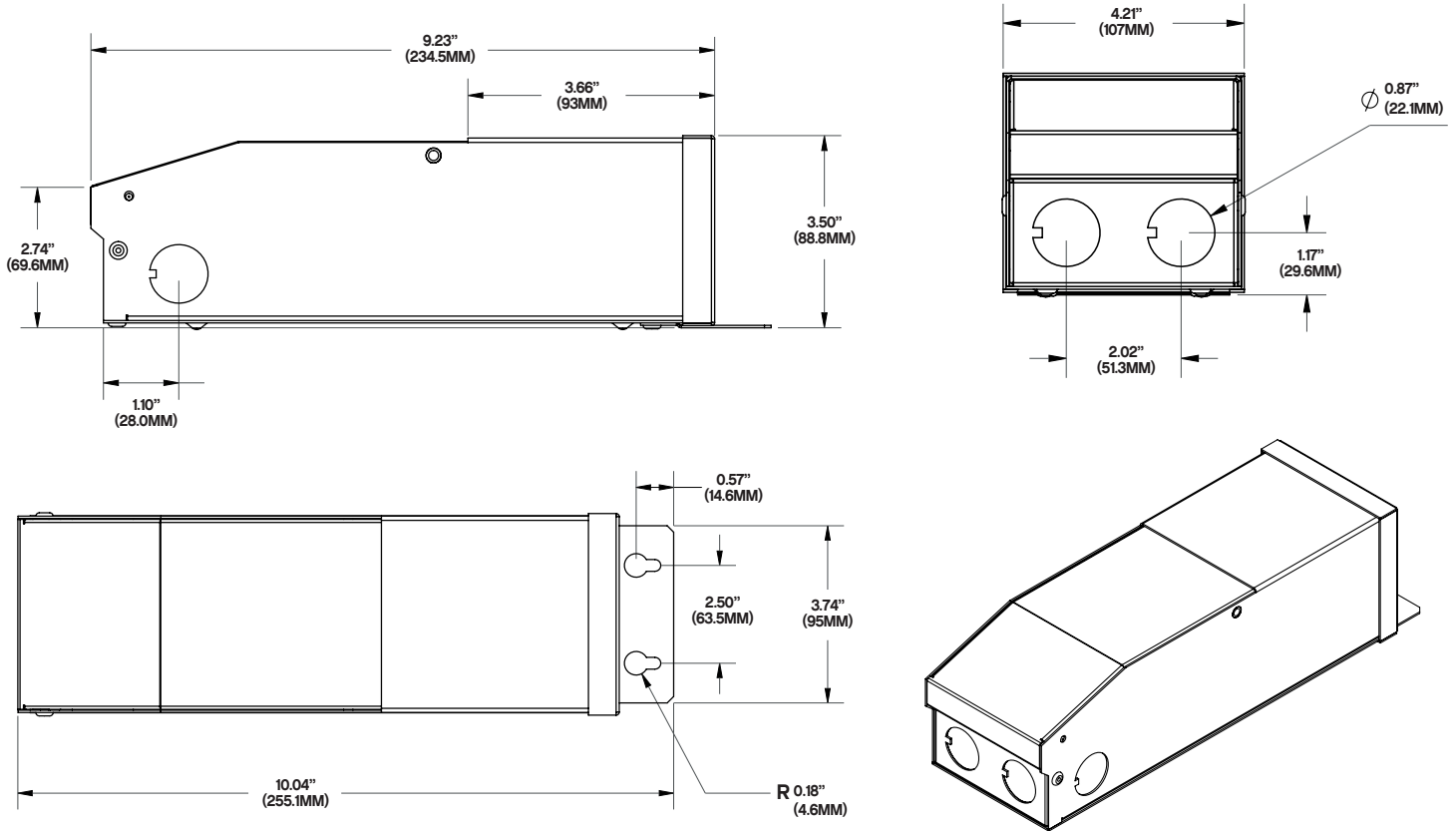


DIAGRAM AND DIMENSIONS



INSTALLATION GUIDE



THIS TRANSFORMER IS ONLY TO BE INSTALLED BY A QUALIFIED TECHNICIAN IN ACCORDANCE WITH NATIONAL AND LOCAL ELECTRICAL CODES

BEFORE YOU BEGIN

Make sure the transformer has the proper input voltage and wattage for the intended job. Check wiring and make sure they match the diagram on this guide.

MOUNTING

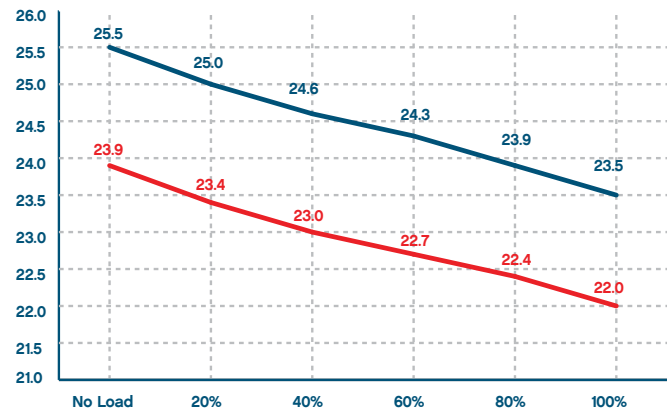
Select a suitable and proper location to mount the driver. Consider the weight of the driver to be supported.

INPUT CONNECTIONS / GROUNDING

1. Remove input wiring cover and install strain reliefs.
2. Make sure power is turned off. Route input wires and make connections based on wiring diagram following the INPUT side.
3. Make sure that driver is properly grounded in accordance with the N.E.C.

OUTPUT CONNECTIONS

1. Remove output wiring cover and install clamp connectors.
2. Make sure power is turned off. Route fixture wires and make connections based on wiring diagram following the OUTPUT side.



— OUTPUT VOLTAGE VS. LOAD
 — OUTPUT VOLTAGE WITH A TYPICAL DIMMER