

SPECIFICATION SHEET

JOB NAME: _____
 LOCATION: _____
 QUOTE/REF#: _____



PSDM-192W-24V-CL2 is a multi-output constant voltage Class 2 LED driver equipped with a magnetic transformer core. It features built-in protection for both the load and the driver via push-to-reset breakers on each output. Its high-quality NEMA 3R metal enclosure includes 5 knock-outs for easy installation. Dimmable with any standard MLV TRIAC dimmer.

FEATURES

- 96W per port x 2
- Push-to-reset circuit breakers
- Suitable for commercial or residential use
- ETL listed
- Certified to CSA standard
- NEMA 3R enclosure
- 5 knockouts for clean and easy installation
- Dimmable with any standard MLV TRIAC dimmer



INPUT SPECIFICATIONS

INPUT VOLTAGE	120 VAC
INPUT CURRENT @ MAX LOAD	2.2A
POWER FACTOR	0.93
EFFICIENCY	81% @ Max Load

OUTPUT SPECIFICATIONS

MAX LOAD	96W per port x 2
OUTPUT VOLTAGE	24V DC
OUTPUT CURRENT @ MAX LOAD	4A per port
OPEN CIRCUIT OUTPUT VOLTAGE	24.5 VDC
COIL FORMER	Double Section Bobbin

ENVIRONMENT SPECIFICATIONS

OPERATING TEMPERATURE	-30°C ~ 45°C (-22°F ~ 104°F)
MIN INSTALLATION SPACE BET DRIVERS	5"
THERMAL CLASS	B130°C

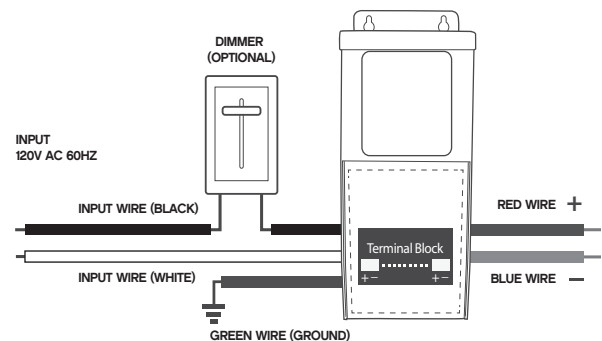
SAFETY PROTECTION SPECIFICATIONS

CIRCUIT BREAKER	Primary and secondary push-to-reset
-----------------	--

MECHANICAL/HOUSING SPECIFICATIONS

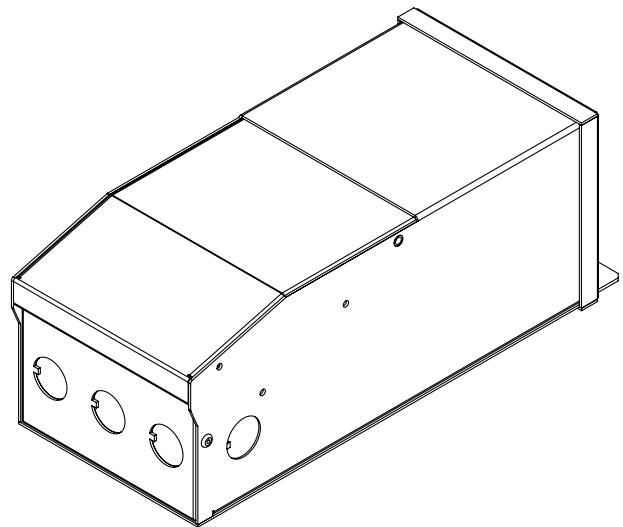
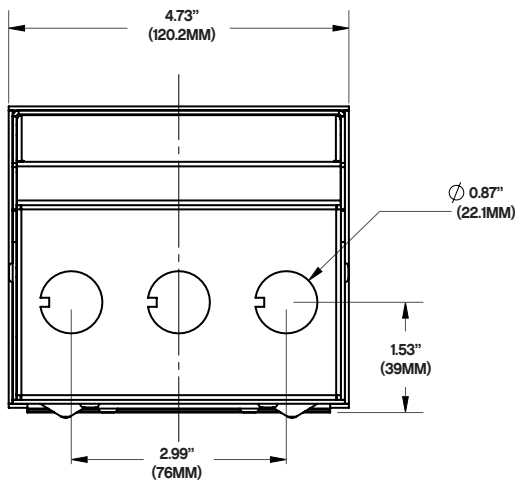
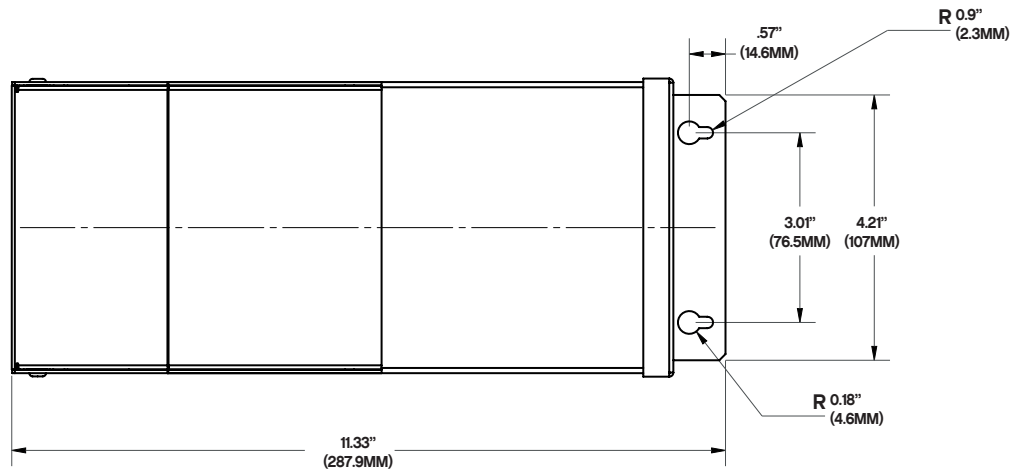
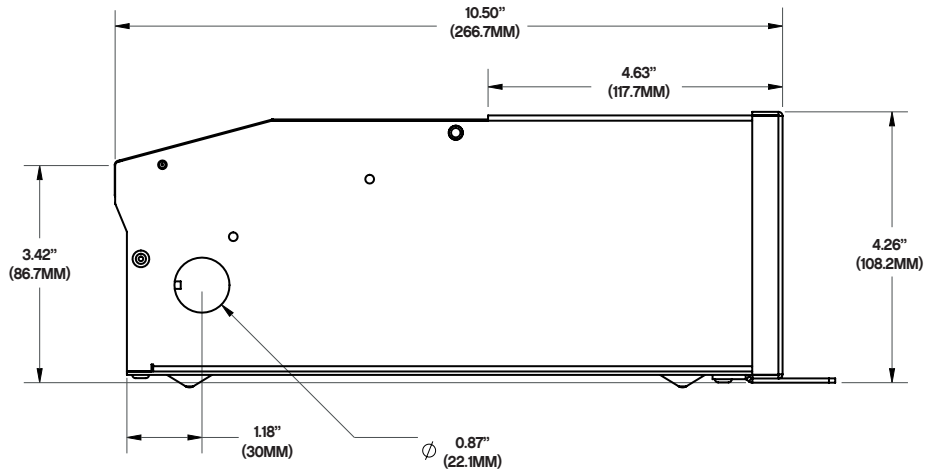
LEADS PRIMARY	Terminal Blocks
LEADS SECONDARY	Terminal Blocks
LENGTH	11.33" (289.9mm)
WIDTH	4.73" (120.2mm)
HEIGHT	4.26" (108.2mm)
WEIGHT	15 lbs
HOUSING MATERIAL	coated metal
HOUSING COLOR	Black
JUNCTION BOX	yes
MOUNTING	two-hole flange mounting

WIRING DIAGRAM



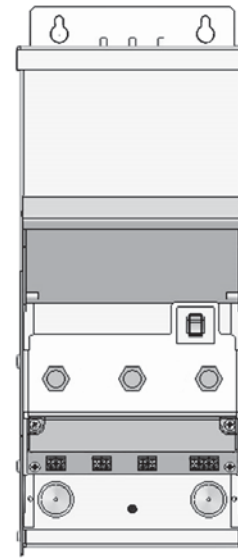
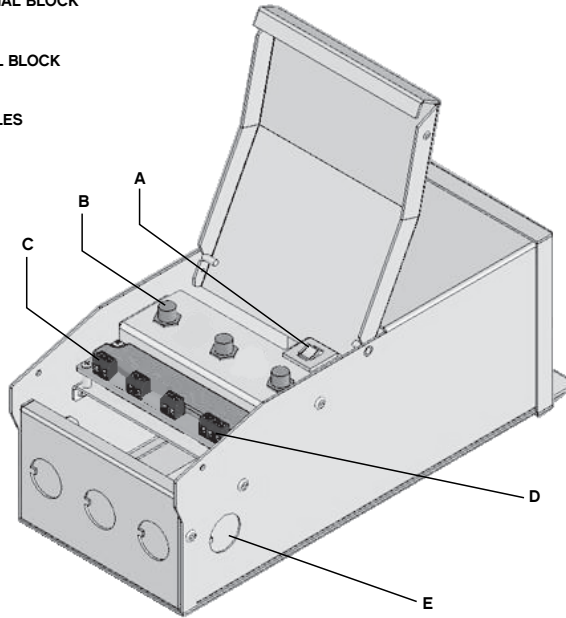
PSDM-192W-24V-CL2 192W Multi-Output Class 2 Dimmable Driver

DIAGRAM AND DIMENSIONS



LEGEND

- A PRIMARY CIRCUIT BREAKER
- B SECONDARY CIRCUIT BREAKER
- C OUTPUT TERMINAL BLOCK
- D INPUT TERMINAL BLOCK
- E KNOCKOUT HOLES



INSTALLATION GUIDE

BEFORE YOU BEGIN

Make sure the transformer has the proper input voltage and wattage for the intended job. Check wiring and make sure they match the diagram on this guide.

MOUNTING

Select a suitable and proper location to mount the driver. Consider the weight of the driver to be supported.

DIMMING

Dimmable with any standard MLV TRIAC (leading edge) dimmer switch. Make sure to install the dimmer switch on the input side (120VAC) of the transformer.

INPUT CONNECTIONS / GROUNDING

1. Remove input wiring cover and install strain reliefs.
2. Make sure power is turned off. Route input wires and make connections based on wiring diagram following the INPUT side.
3. Make sure that driver is properly grounded in accordance with the N.E.C.

OUTPUT CONNECTIONS

1. Remove output wiring cover and install clamp connectors.
2. Make sure power is turned off. Route fixture wires and make connections based on wiring diagram following the OUTPUT side.



EACH INDIVIDUAL TERMINAL BLOCK IS PROTECTED WITH AN AUTO CIRCUIT BREAKER, THEREFORE EACH TERMINAL MUST BE OPERATED INDEPENDENTLY.



TERMINAL BLOCKS MAY NOT BE USED / CONNECTED IN SERIES OR PARALLEL TO EACH OTHER.



THIS TRANSFORMER MUST BE INSTALLED IN A WELL VENTILATED AREA, FREE FROM GAS AND VAPORS.



THIS TRANSFORMER IS ONLY TO BE INSTALLED BY A QUALIFIED TECHNICIAN IN ACCORDANCE WITH NATIONAL AND LOCAL ELECTRICAL CODES