

PSDM-150W-12V 150W 12V Constant Voltage Dimmable Driver

SPECIFICATION SHEET

JOB NAME: _____
 LOCATION: _____
 QUOTE/REF#: _____



PSDM-150W-12V is a constant voltage LED driver equipped with a magnetic transformer core. It features built-in protection for both the load and the driver via auto-reset breakers (one on the input and one on the output). Its durable, coated metal box includes 2 knock-outs, one on each side, for easy installation that complies with electrical code standards. Compatible with any standard MLV/incandescent TRIAC (leading edge) dimmer switch.

FEATURES

- 150W 12V
- Dimmable
- NEMA 3R - outdoor use
- Suitable for Indoor or Outdoor Use
- Two knock-outs, oen on each side
- Auto-Reset Feature



INPUT SPECIFICATIONS

INPUT VOLTAGE	120 VAC
INPUT CURRENT @ MAX LOAD	1.95A
POWER FACTOR	> 0.93
EFFICIENCY	> 80%

OUTPUT SPECIFICATIONS

MAX LOAD	150W
OUTPUT VOLTAGE	12.8 VDC @ full load
OUTPUT CURRENT @ MAX LOAD	13.3A
OPEN CIRCUIT OUTPUT VOLTAGE	13.3V DC
COIL FORMER	Double Section Bobbin

ENVIRONMENT SPECIFICATIONS

OPERATING TEMPERATURE	-30°C ~ 45°C (-22°F ~ 113°F)
MIN INSTALLATION SPACE BET DRIVERS	5"
THERMAL CLASS	B130°C

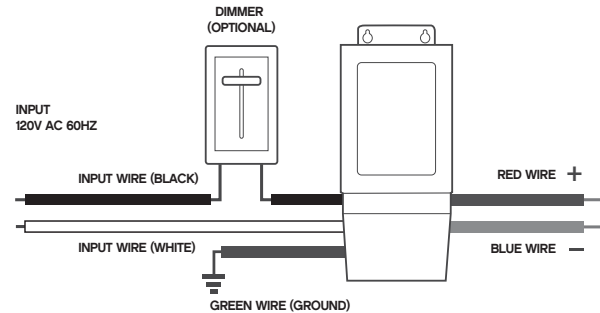
SAFETY PROTECTION SPECIFICATIONS

CIRCUIT BREAKER	Primary and secondary auto-reset feature
-----------------	--

MECHANICAL/HOUSING SPECIFICATIONS

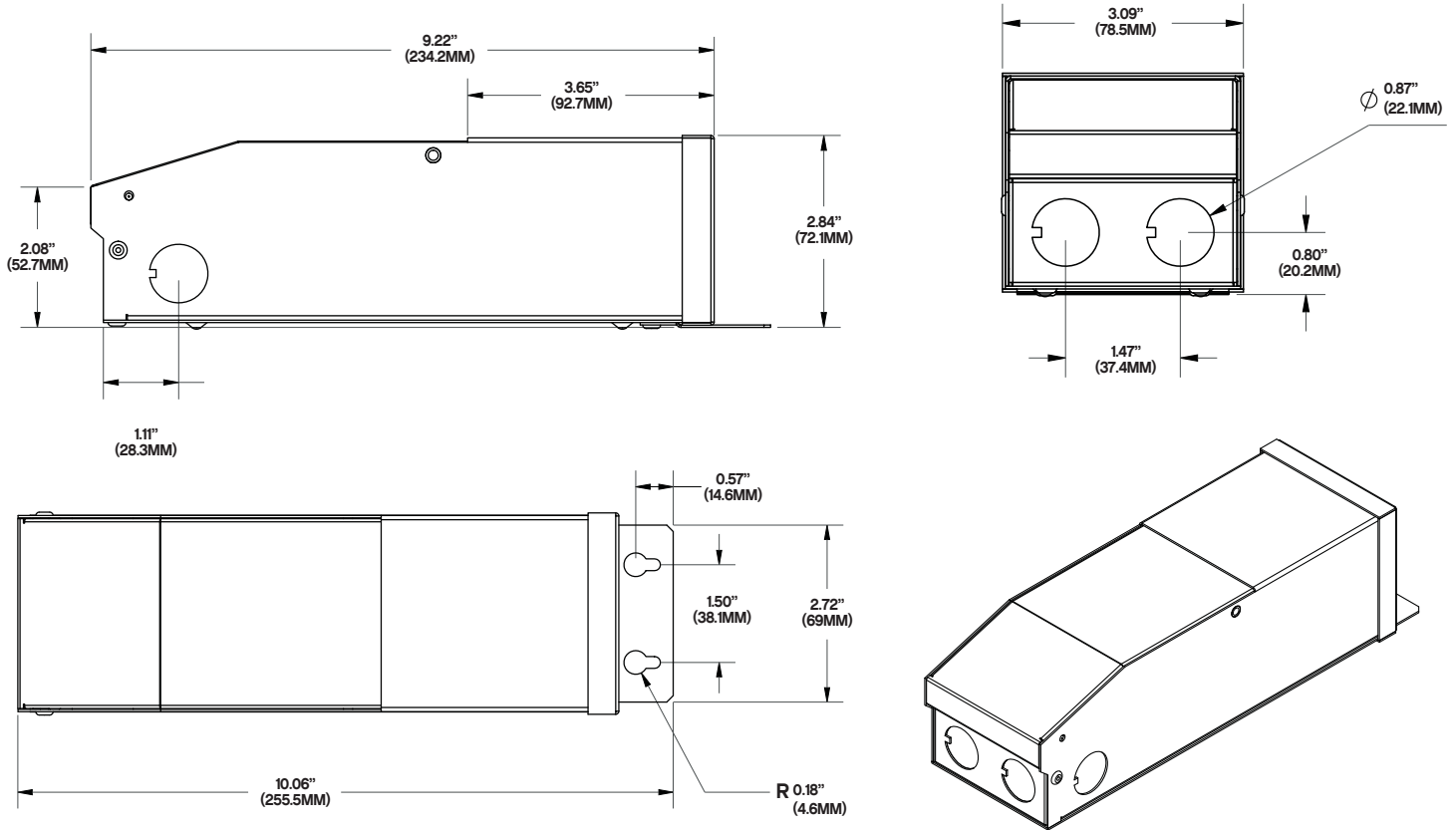
LEADS PRIMARY	PVC 600V #18
LEADS SECONDARY	PVC 300V #12
LENGTH	10.06" (255.5mm)
WIDTH	3.09" (78.5mm)
HEIGHT	2.84" (72.1mm)
WEIGHT	87oz (2.47 kg)
HOUSING MATERIAL	coated metal
HOUSING COLOR	Black
JUNCTION BOX	yes
MOUNTING	two-hole flange mounting

WIRING DIAGRAM



PSDM-150W-12V 150W 12V Constant Voltage Dimmable Driver

DIAGRAM AND DIMENSIONS



INSTALLATION GUIDE

THIS TRANSFORMER IS ONLY TO BE INSTALLED BY A QUALIFIED TECHNICIAN IN ACCORDANCE WITH NATIONAL AND LOCAL ELECTRICAL CODES

BEFORE YOU BEGIN

Make sure the transformer has the proper input voltage and wattage for the intended job. Check wiring and make sure they match the diagram on this guide.

MOUNTING

Select a suitable and proper location to mount the driver. Consider the weight of the driver to be supported.

INPUT CONNECTIONS / GROUNDING

1. Remove input wiring cover and install strain reliefs.
2. Make sure power is turned off. Route input wires and make connections based on wiring diagram following the INPUT side.
3. Make sure that driver is properly grounded in accordance with the N.E.C.

OUTPUT CONNECTIONS

1. Remove output wiring cover and install clamp connectors.
2. Make sure power is turned off. Route fixture wires and make connections based on wiring diagram following the OUTPUT side.

