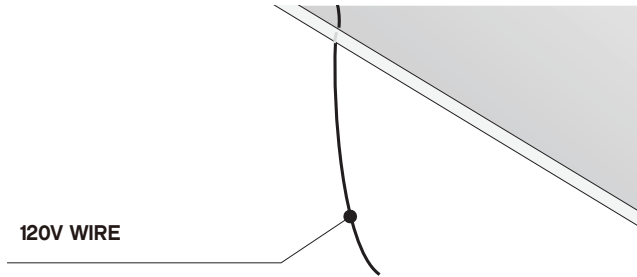


INSTALLATION GUIDE

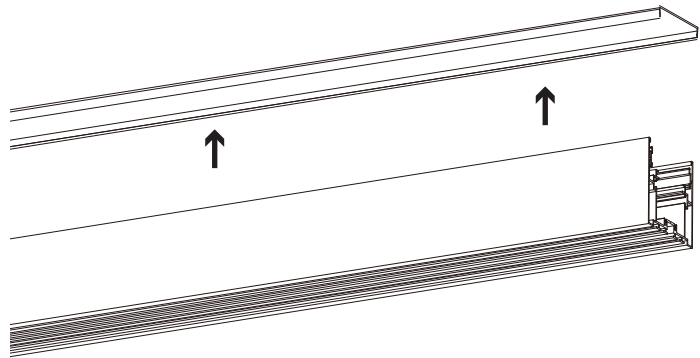


WARNING: RISK OF ELECTRICAL SHOCK
* turn off main power prior to installation
* make sure hands are dry
* never touch exposed wires

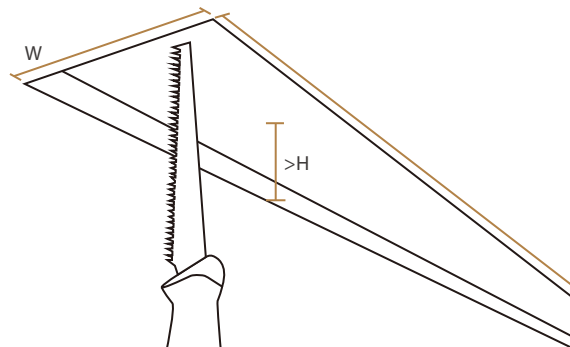
1 RUN 120V WIRE THROUGH CEILING



2 REMOVE DIFFUSER



3 MAKE A SLOT THE SAME SIZE AS THE PROFILE ON THE CEILING TO ACCOMMODATE CHANNEL

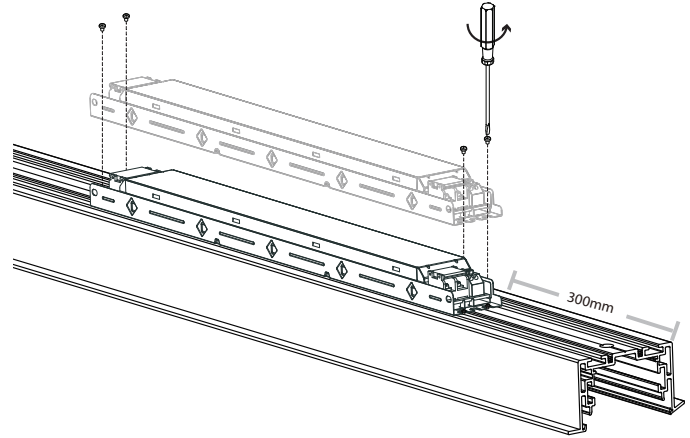


INSTALLATION GUIDE

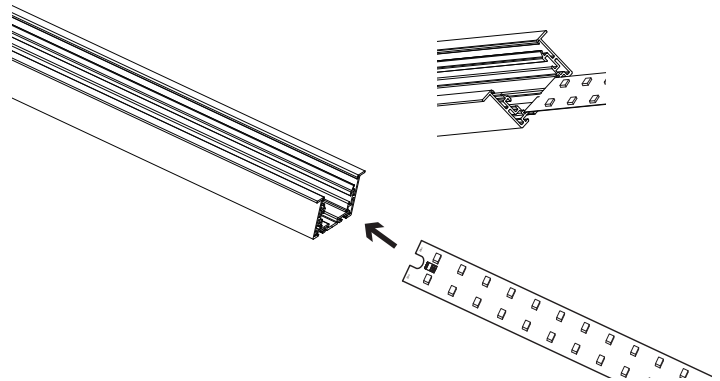


WARNING: RISK OF ELECTRICAL SHOCK
* turn off main power prior to installation
* make sure hands are dry
* never touch exposed wires

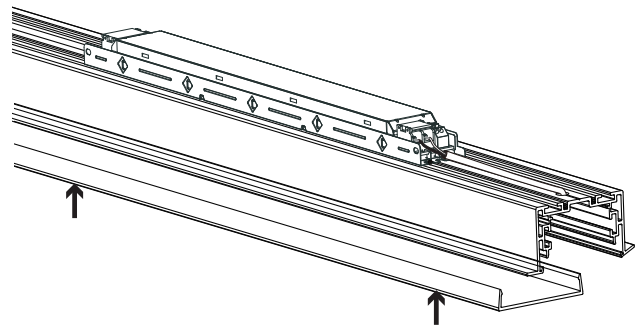
4 MOUNT POWER SUPPLY ONTO PROFILE.



5 INSTALL LINEAR TAPE LIGHT



6 INSTALL DIFFUSER ONTO PROFILE

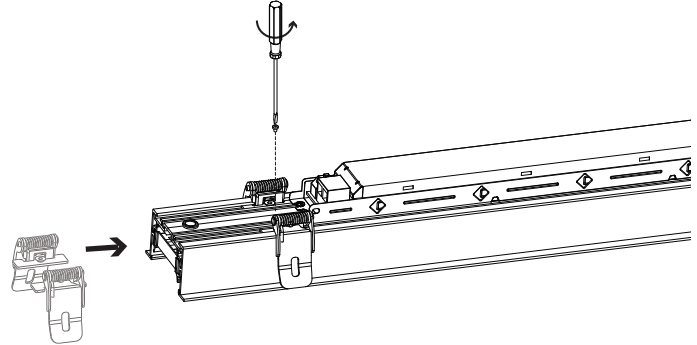


INSTALLATION GUIDE

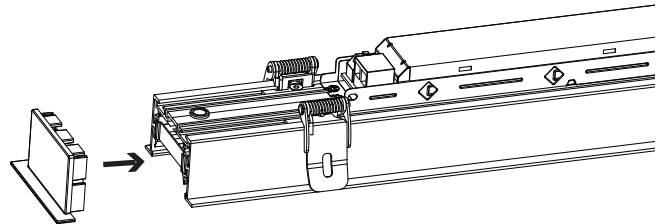


WARNING: RISK OF ELECTRICAL SHOCK
** turn off main power prior to installation*
** make sure hands are dry*
** never touch exposed wires*

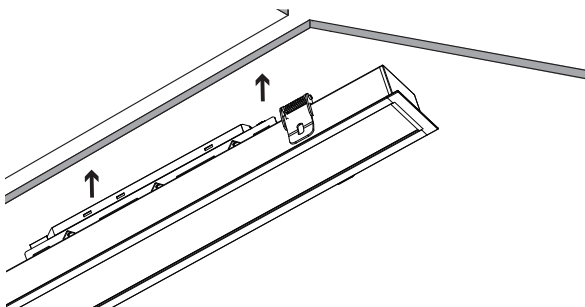
- 7** SLIDE BUTTERFLY CLAMP ONTO PROFILE AND THEN FIX IT INTO PLACE.



- 8** INSTALL END CAP



- 9** CONNECT POWER SUPPLY TO WIRE IN CEILING THEN INSTALL PROFILE INTO SLOT.



- 10** FINISHED

