

## SPECIFICATION SHEET

JOB NAME: \_\_\_\_\_  
 LOCATION: \_\_\_\_\_  
 QUOTE/REF#: \_\_\_\_\_






**ULM-220** is a 3 Watt, 12VDC low profile, recessed downlight that delivers 225 lumens in either 3000K or 4000K. This mini-cabinet light is a great fit for many applications requiring focused accent lighting in a small form factor. Perfect for display cases, kitchen cabinets and furniture installations.

### FEATURES

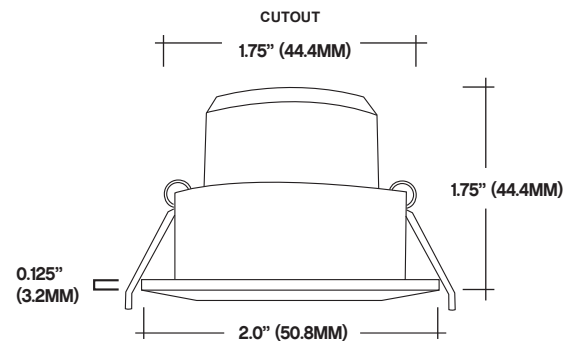
- 3W High Output LED
- 225 Lumens
- 12V DC
- CREE LED Technology
- Optional 3 or 6 port adapter
- 30° adjustable swivel to direct light
- 20" length cord with quick connector
- Dimmable with most CL and ELV dimmers
- Suitable for recessed applications

### SPECIFICATIONS

INPUT VOLTAGE	12V DC
POWER CONSUMPTION	3W
LUMEN OUTPUT	225Lm
BEAM ANGLE	30°
SWIVEL	30° Adjustable
CCT	3000K / 4000K
CRI	85+
DIMMING	10-100% with most CFL/LED and ELVs
CUTOUT	1 3/4"
MOUNTING	Recessed
LUMEN MAINTENANCE	50,000 hrs.
CONNECTION	20" length cord with quick connector
FINISH OPTIONS	White / Black / Silver

FINISH	CRI	LUMEN
	85+	225
	85+	225
	85+	225

### DIMENSIONS



### ORDERING GUIDE EX: ULM220-30K-BK

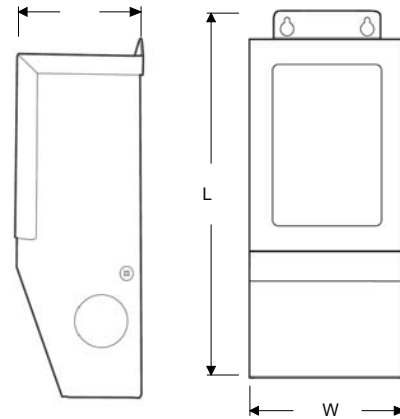
ULM220		
MODEL	COLOR TEMP	FINISH
	30K - 3000K 40K - 4000K	WH - White BK - Black SI - Silver

# ULM-220 3.0W 12V Led Mini Recessed Downlight

## COMPATIBLE DIMMABLE TRANSFORMERS

**MAGNETIC LOW VOLTAGE (MLV)**

PSDM SERIES	CLASS 2		L X W X H
	CLASS 2	L X W X H	
PSDM-20W-12V	YES	5.6" X 2" X 2.14"	
PSDM-40W-12V	YES	5.6" X 2" X 2.14"	
PSDM-60W-12V	YES	6.5" X 2.3" X 2.5"	
PSDM-100W-12V	NO	9.8" X 3" X 3"	
PSDM-150W-12V	NO	9.8" X 3" X 3"	
PSDM-180W-12V-CL2	YES	9.8" X 3" X 3"	
PSDM-200W-12V	NO	9.8" X 3" X 3"	
PSDM-300W-12V	NO	9.8" X 4.2" X 3.5"	
PSDM-300W-12V-CL2	YES	7.0" X 7.0" X 3.2"	



\* 277 VERSIONS AVAILABLE, PLEASE CONSULT FACTORY

**TRIAC DIMMING ELECTRONIC**

PSDT SERIES	CLASS 2		L X W X H
	CLASS 2	L X W X H	
PSDT-20W-12V		6.1" X 2.12" X 0.79"	
PSDT-40W-12V		7.0" X 2.4" X 0.95"	
PSDT-60W-12V		7.1" X 2.36" X 1.38"	
PSDT-120W-12V-JB		8.92" X 3.0" X 1.85"	

