

SPECIFICATION SHEET

JOB NAME: _____
 LOCATION: _____
 QUOTE/REF#: _____



RLD2 is a 12W, 2" mini low profile downlight capable of delivering up to 1060 Lumens. It features high performance in a miniature size that is both sleek and modern. Select from 3 different optics for more beam spread options. Choose from a variety of finish options that will complement your lighting project.

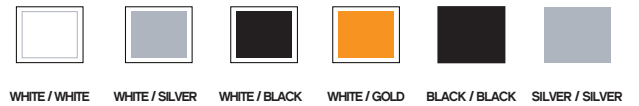
FEATURES

- 2" aperture
- 12 Watts
- 1060 Lumens
- TRIAC and 0-10V dimming options.
- Quick connect assembly makes installation easy.
- Housing not required for remodel applications.
- Non-IC housing available.
- High-efficiency micro lens provides superior performance
- ETL Listed for dry and damp locations.

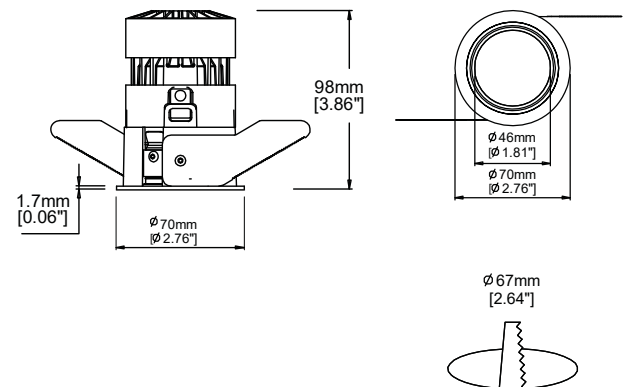
SPECIFICATIONS

APERTURE	2" aperture
POWER CONSUMPTION	12W
LUMEN OUTPUT	1060 Lumens
BEAM ANGLE	Spot (15°) / Flood (28°) / Wide Flood (40°)
CCT	2700K / 3000K / 4000K
CRI	90+ CRI, 2-Step SDCM
DIMMING	TRIAC, ELV or 0-10V
INPUT VOLTAGE	120V / 277V
LED	Lumileds Luxeon
MATERIAL	Die-cast aluminum with powder coating finish
LIFETIME	50,000 hrs at 70% lumen maintenance
LISTINGS	ETL listed for dry and damp locations
WARRANTY	5-Year Limited

FINISH / TRIM OPTIONS



DIMENSIONS



ORDERING GUIDE EX: RLD2-10L-30K-FL-BK-WH-010

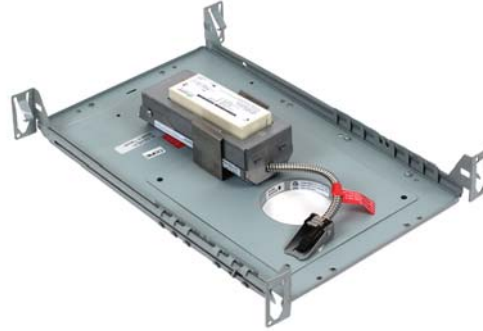
RLD2						
MODEL	LUMENS (WATTS)	COLOR TEMP	BEAM ANGLE	REFLECTOR	TRIM	DIMMING DRIVER
	10L - 1060 (12W)	27K - 2700K 30K - 3000K 40K - 4000K	SP - 15° Spot FL - 28° Flood WF - 40° Wide	WH - White BK - BLACK SI - Silver GD - Gold	WH - White BK - Black SI - Silver	010 - 0-10 (120V-277V) TR - TRIAC (120V-277V)* *DIMMING ON 120V ONLY

COMPONENTS (SOLD SEPARATELY)

HOUSING

RLD2-HS-N | 2" NON-IC Housing

NON-IC NEW CONSTRUCTION FRAME-IN KIT



DRIVER

RLD2-DRV-D10-UNV | 0-10 Dimming Driver
 RLD2-DRV-TR-UNV | TRIAC

*DIM ON 120V



TRIM

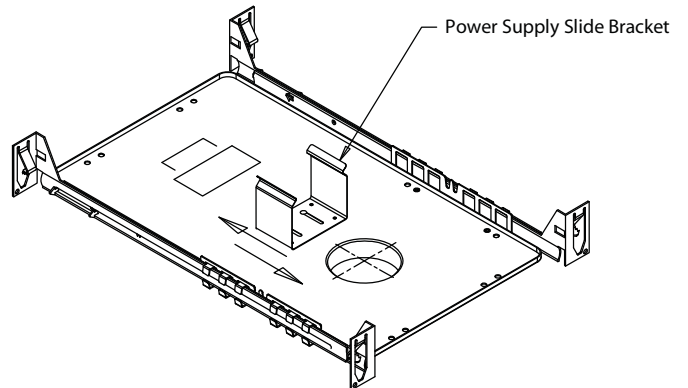
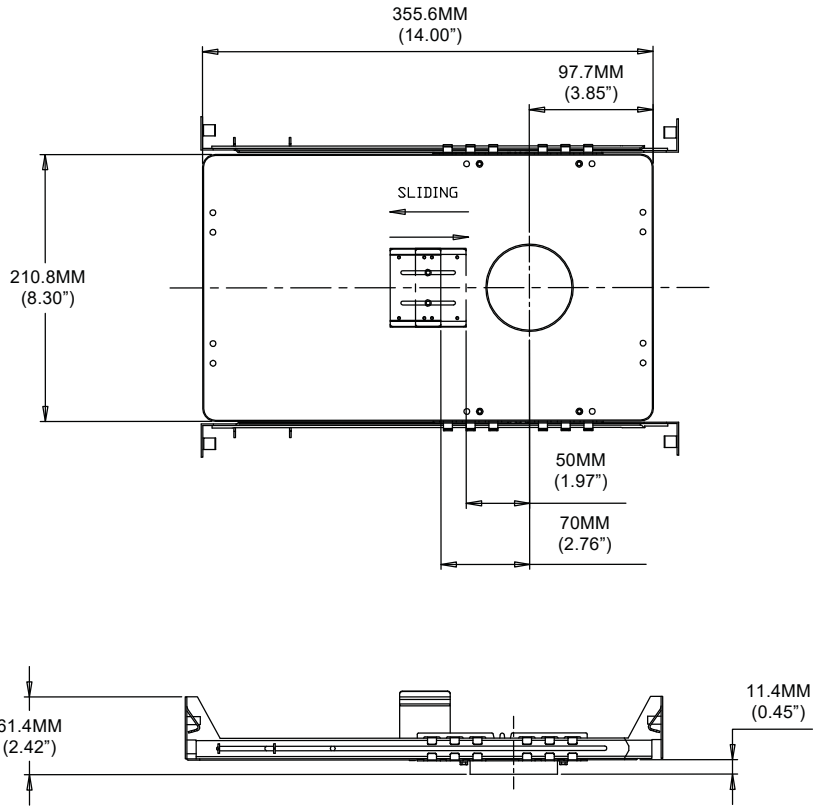
RLD2-TRM-WH-WH | 2" White / White Trim
 RLD2-TRM-WH-SI | 2" White / Silver Trim
 RLD2-TRM-WH-BK | 2" White / Black Trim
 RLD2-TRM-WH-GD | 2" White / Gold Trim
 RLD2-TRM-BK-BK | 2" Black / Black Trim
 RLD2-TRM-SI-SI | 2" Silver / Silver Trim



RLD2 2" Aperture Recessed LED Downlight

DIMENSIONS

RLD2-HS-N | 2" NON-IC Housing



RLD2 2" Aperture Recessed LED Downlight

DIMENSIONS

RLD2-DRV-D10-UNV | 0-10 Dimming Driver

RLD2-DRV-TR-UNV | TRIAC Dimming Driver*

*DIMMING ON 120V ONLY

