

INSTALLATION GUIDE

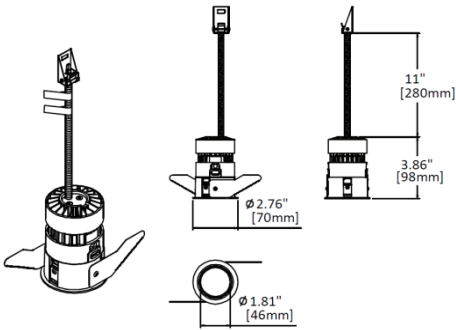


WARNING: RISK OF ELECTRICAL SHOCK
 * turn off main power prior to installation
 * make sure hands are dry
 * never touch exposed wires

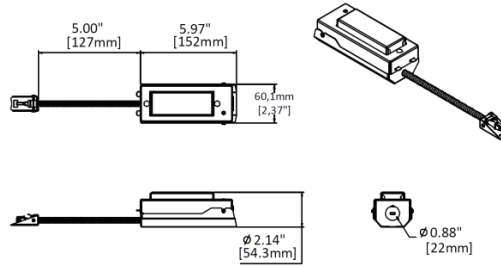
This product is to be installed in accordance with National and local electrical and construction codes and regulations.

1 GATHER COMPONENTS

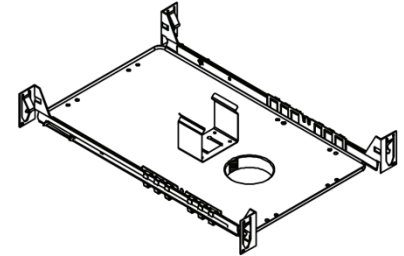
LIGHT ENGINE



POWER SUPPLY

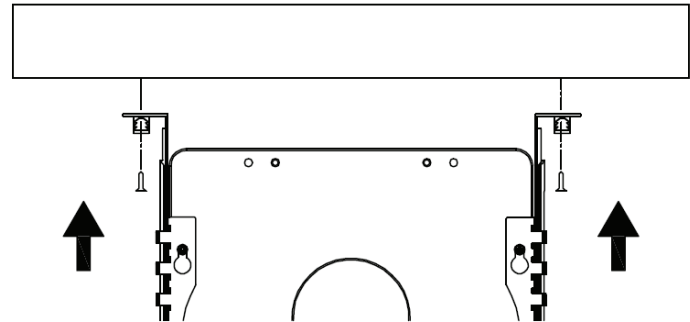


FRAME KIT

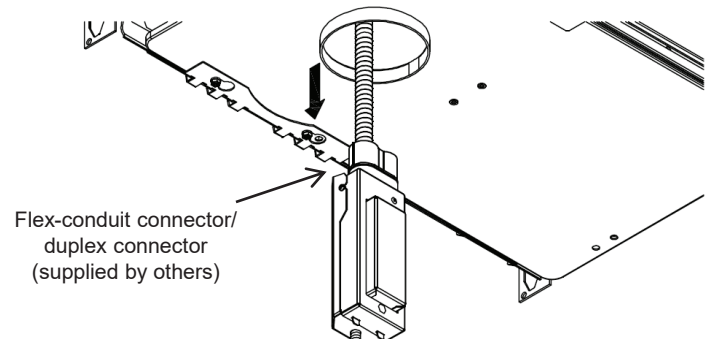


2 PREPARE FRAME KIT FOR CEILING INSTALLATION:

- A. MAKE SURE END TAB ON HANGER BARS IS FACING OUTWARD
- B. EXTEND BAR HANGERS TO FIT BETWEEN JOISTS AND POSITION FIXTURE BY HAMMERING NAIL ON BARS INTO JOISTS.
- C. USE T-BAR SLOT IN BOTTOM OF HANGER BARS FOR SUSPENDED CEILINGS, BENDIN THE TABS TO HOLD T-BAR TIGHTLY.



3 RUN WIRES TO POWER SUPPLY ASSEMBLY.



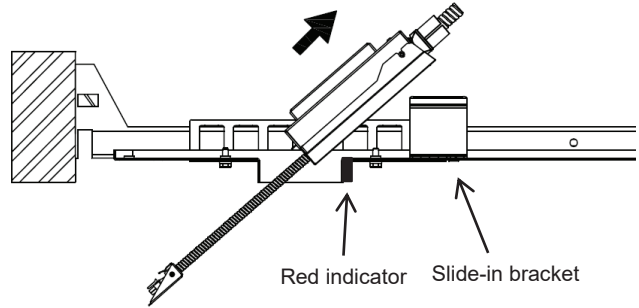
INSTALLATION GUIDE



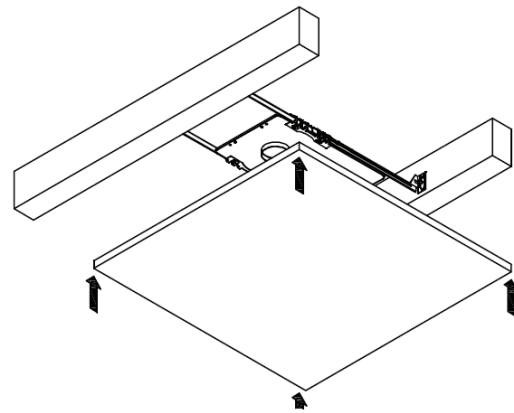
WARNING: RISK OF ELECTRICAL SHOCK
* turn off main power prior to installation
* make sure hands are dry
* never touch exposed wires

This product is to be installed in accordance with National and local electrical and construction codes and regulations.

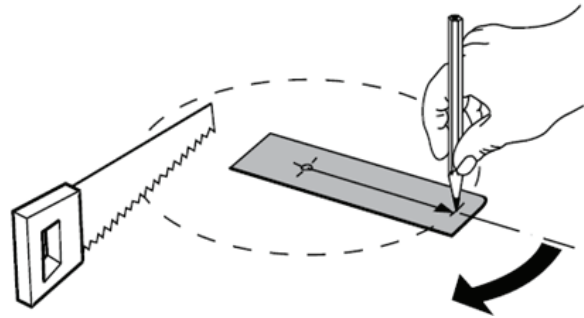
4 INSTALL POWER SUPPLY ASSEMBLY ONTO SLIDE BRACKET.



5 INSTALL CEILING



6 MAKE CEILING CUT



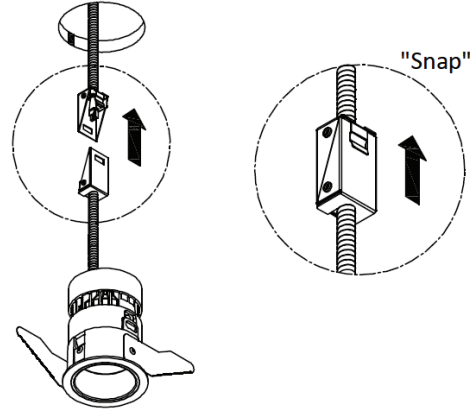
INSTALLATION GUIDE



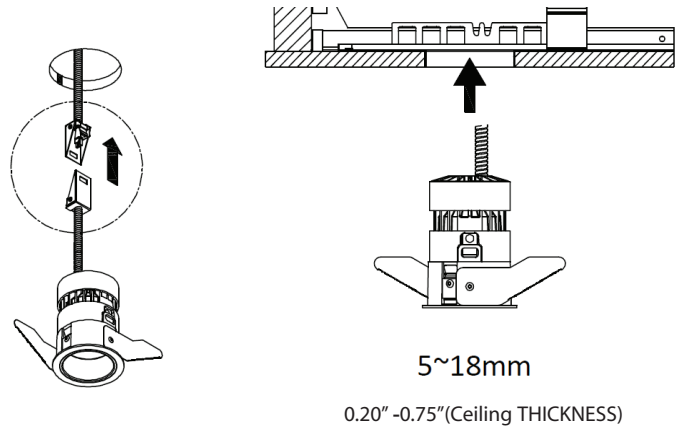
WARNING: RISK OF ELECTRICAL SHOCK
 * turn off main power prior to installation
 * make sure hands are dry
 * never touch exposed wires

This product is to be installed in accordance with National and local electrical and construction codes and regulations.

4 CONNECT POWER SUPPLY MODULE TO LIGHT ENGINE ASSEMBLY.



5 WARP CLIPS THEN PUSH LIGHT ENGINE ASSEMBLY INTO CEILING.



3 INSTALLATION COMPLETE



Luminaire not suitable for covering with thermally insulating materials

