

## SPECIFICATION SHEET

JOB NAME: \_\_\_\_\_  
 LOCATION: \_\_\_\_\_  
 QUOTE/REF#: \_\_\_\_\_



**LSA-PC10-FR48** is an easy and efficient way to protect your LED strip while giving it a decorative and attractive look. It comes conveniently with an adhesive strip on the back for easy installation. Simply peel and apply on a clean LED strip surface. These can be placed from end to end of the LED strip or cut to a certain length particular to a specific project or application.

### FEATURES

- Compatible with LED strips .4" (10MM) wide
- Surface mount onto LED strip
- Frosted diffuser
- Adhesive backing
- protects LED prolonging its lifetime

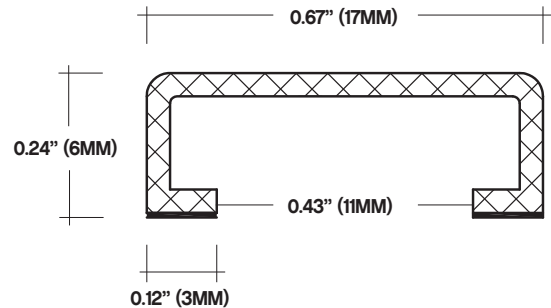
### SPECIFICATIONS

TYPE	Surface mount
AVAILABLE LENGTHS	48"
DIMENSIONS	W X H: 0.67" (17mm) X 0.24" (6MM)
LENS OPTIONS	Frosted

Compatible with LED strips up to 0.4" (10mm) wide.

LED strips sold separately

Peel-off adhesive backing



### ORDERING GUIDE

LSA-PC10		
MODEL	LENS	SIZE
	FR - Frosted Lens	48 - 48"

## COMPATIBLE INDOOR LED STRIPS

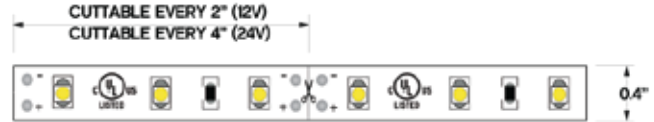
**LSM-15** | 1.5W / FT. | 120 Lumens | 90CRI

**VOLTAGE** 12V and 24V

**COLOR TEMPERATURES**

22K | 25K | 27K | 30K | 35K | 40K | 50K | 60K

RD | BL | GR | PK | PR | AM | OR



**LSM-25** | 2.2W / FT. | 185 Lumens | 90CRI

**VOLTAGE** 24V

**COLOR TEMPERATURES**

27K | 30K | 40K | 50K | 60K



**LSM-30** | 3.0W / FT. | 250 Lumens | 90CRI

**VOLTAGE** 12V and 24V

**COLOR TEMPERATURES**

22K | 25K | 27K | 30K | 35K | 40K | 50K | 60K

RD | BL | GR | PK | PR | AM | OR



**LSM-45** | 4.4W / FT. | 370 Lumens | 90CRI

**VOLTAGE** 24V

**COLOR TEMPERATURES**

27K | 30K | 40K | 50K | 60K



**LSM-55** | 5.5W / FT. | 500+ Lumens | 90CRI

**VOLTAGE** 24V

**COLOR TEMPERATURES**

27K | 30K | 35K | 42K | 50K



**LSP-50** | 4.4W / FT. | 380 Lumens | 90CRI

**VOLTAGE** 24V

**COLOR TEMPERATURES**

27K | 30K | 35K | 42K | 50K

