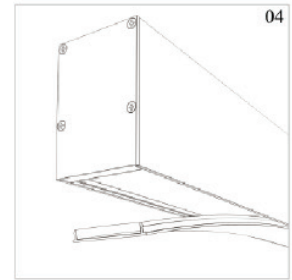
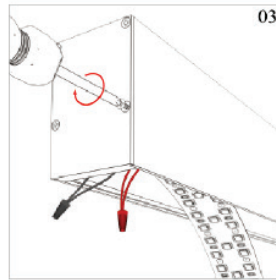
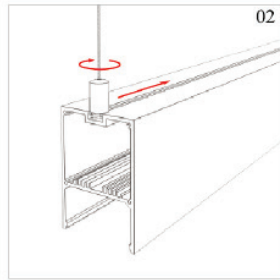
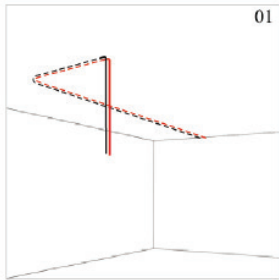


# ALP-300 INSTALLATION INSTRUCTIONS

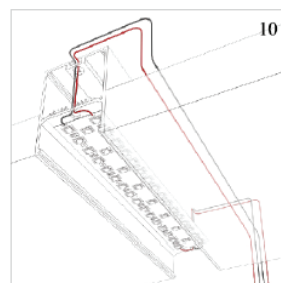
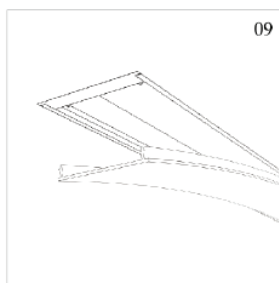
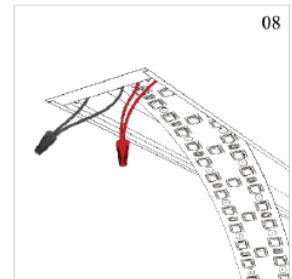
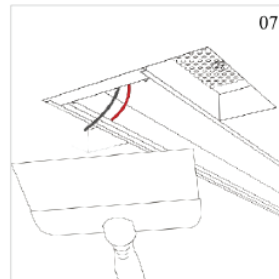
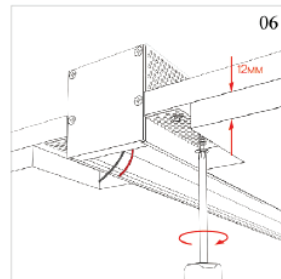
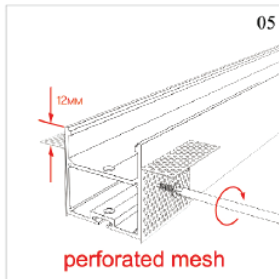
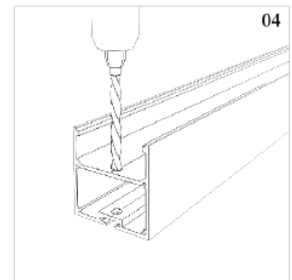
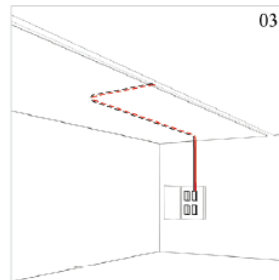
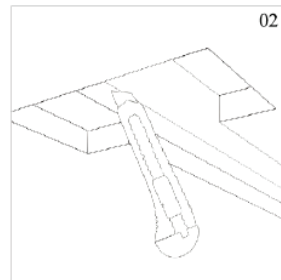
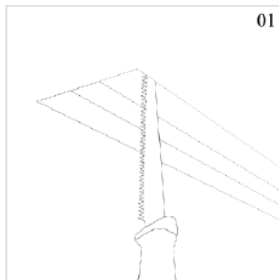
Job Name:

Address:

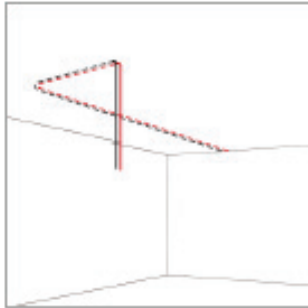
## SUSPENDED INSTALLATION



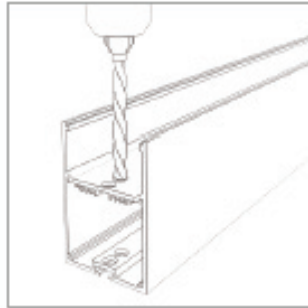
## RECESSED INSTALLATION



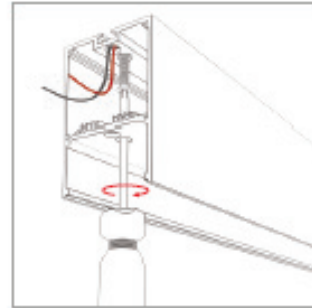
## SURFACE MOUNT INSTALLATION



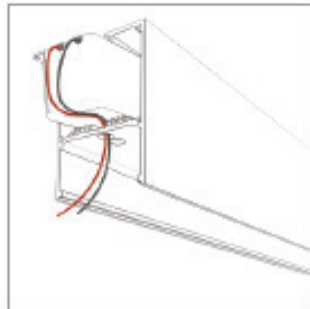
1. Make sure the electrical wire is connected to the light switch or a lighting control system



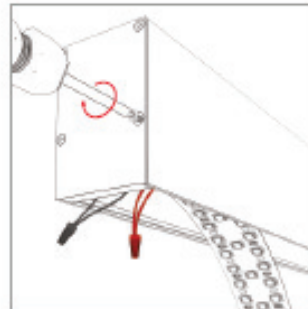
2. Drill a hole into the fixture for low voltage wires



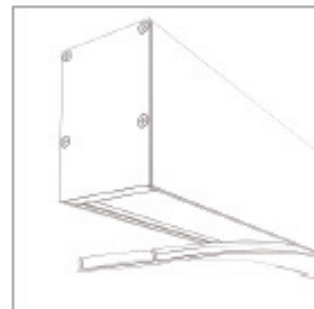
3. Run the wires through the hole, then secure the fixture into the service



4. Place the power supply inside the fixture and connect the electrical wires



5. Secure the end caps and install the LED strip on to the fixture surface



6. Install the diffuser