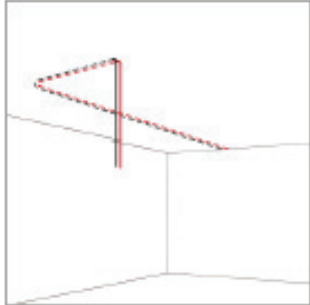


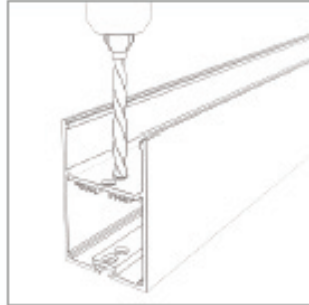
# ALP220 INSTALLATION INSTRUCTIONS

Job Name:

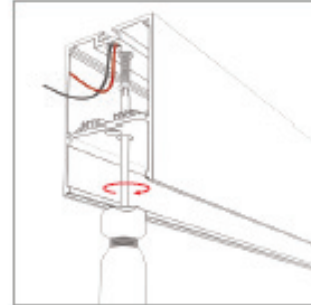
Address:



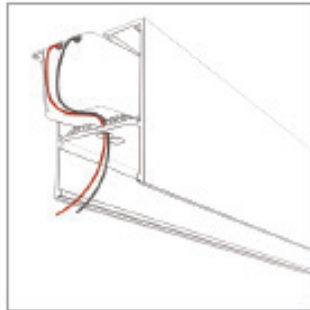
1. Make sure the electrical wire is connected to the light switch or a lighting control system



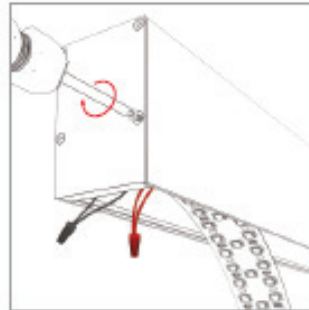
2. Drill a hole into the fixture for low voltage wires



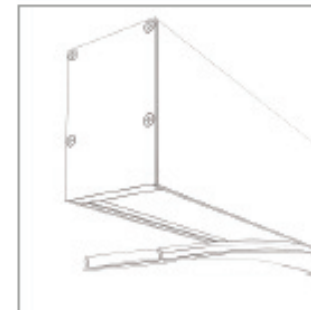
3. Run the wires through the hole, then secure the fixture into the service



4. Place the power supply inside the fixture and connect the electrical wires

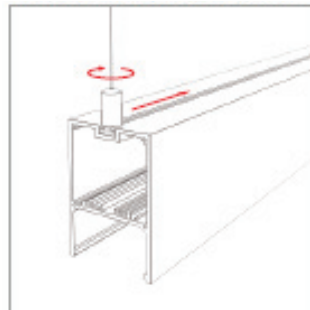


5. Secure the end caps and install the LED strip on to the fixture surface

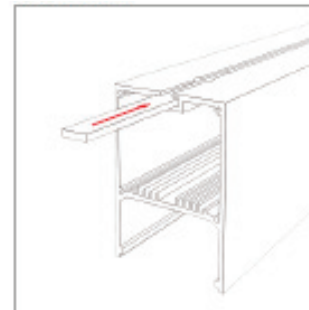


6. Install the diffuser

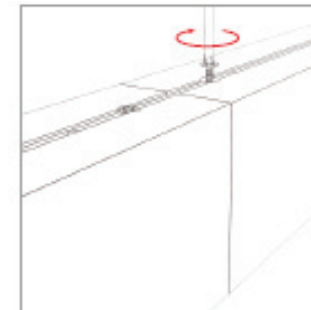
instructions for suspended installation



instructions for fixtures longer than 8ft (98 7/16")



1. Install the two Fixtures together using a connection piece



2. Drill the connection piece where both fixtures connect

