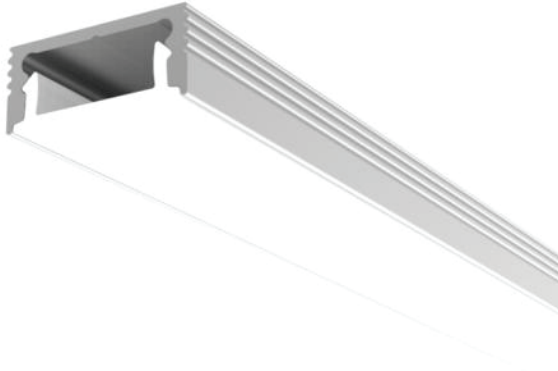


## SPECIFICATION SHEET

JOB NAME: \_\_\_\_\_  
 LOCATION: \_\_\_\_\_  
 QUOTE/REF#: \_\_\_\_\_



The **ALP-20** is an Architectural Grade LED extrusion profile designed for linear LED strips up to 10mm wide. Made from high quality Aluminum, these extrusions provide superior thermal management for higher wattage LED strips and prolong the lifespan of your lighting system. This surface mount profile is manufactured with a patented frosted diffuser for maximum lumen output and wide beam distribution. The ALP-20 profile helps protect LED's from dust and other undesirable elements, which can shorten the LED's life. They are also an elegant design solution for any space.

### FEATURES

- Customizable
- Durable, military grade aluminum
- Protects LED systems from dust and other elements
- Slim, low profile design
- Dissipates heat from LED, prolonging its lifetime

### SPECIFICATIONS

TYPE	Surface mount
AVAILABLE LENGTHS	49.25" and 98.5"
FINISH	Anodized Silver
LENS OPTIONS	Frosted

Compatible with LED strips up to 0.42" / 7/16" / 10mm wide.

LED tape light sold separately.

Remote mounted low voltage power supply sold separately.

Power supplies available in 120V and 277 options.

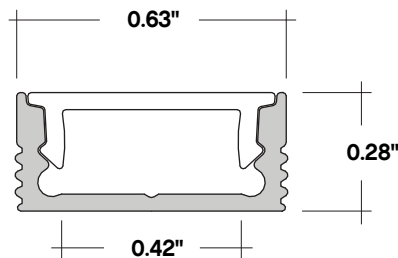
### COMPONENTS

PROFILE	ALP-20
LENS	ALP-20-LN
END CAP	ALP-20-EC
METAL MOUNTING CLIPS	ALP-20-CL

Frosted lens included with every profile .

Two (2) end caps and two (2) mounting clips included with every profile.

Custom color finishes available (powder coating).



### ORDERING GUIDE

ALP20			
MODEL	SIZE	LENS	LIGHT ENGINE
	49 - 49.25 Inches 98 - 98.5 Inches	FR - Frosted Lens	See p.3 for compatible tape lights

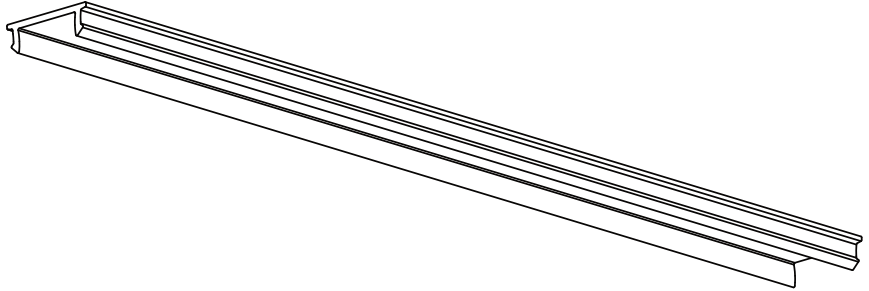
# ALP-20 Surface / Recessed Mount LED Profile

## COMPONENTS | ACCESSORIES

### ALP-20-LN | Plastic Lens

**TYPE** FR (frosted)

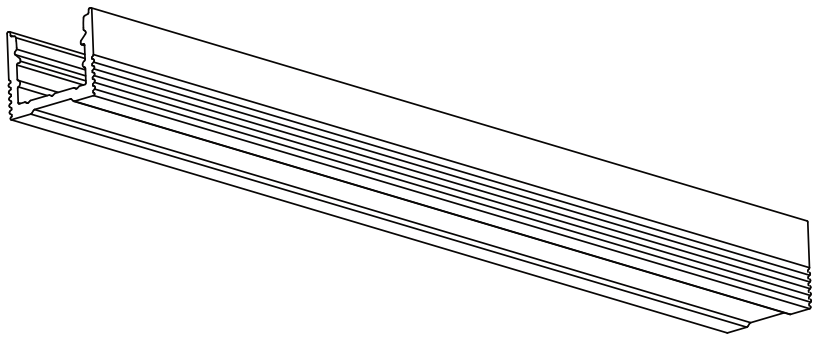
**LENGTHS** 49.25" and 98.5"



### ALP-20 | Aluminum profile

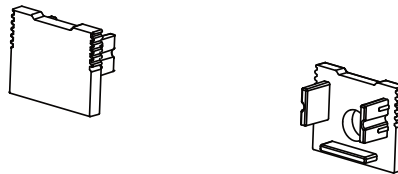
**MOUNTING** Surface

**LENGTHS** 49.25" and 98.5"



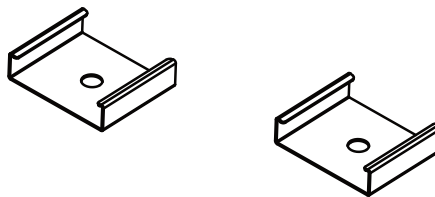
### ALP-20-EC | End Cap

\*Two end caps included with every profile



### ALP-20-CL | Metal Mounting Clips

\*Two mounting clips included with every profile



## TAPE LIGHT - CHANNEL COMPATIBILITY

	INDOOR LED STRIPS		OUTDOOR LED STRIPS		RGB & RGBW
✓	LSM-15   1.5W / FT.   120 Lumens		LSMW-15   1.5W / FT.   120 Lumens	✓	LSP-20RGB   2.2W / FT.   82 Lumens
✓	LSM-25   2.2W / FT.   185 Lumens		LSMW-25   2.2W / FT.   185 Lumens	✓	LSP-50RGB   4.4W / FT.   165 Lumens
✓	LSM-30   3.0W / FT.   250 Lumens		LSMW-30   3.0W / FT.   250 Lumens		LSP-80RGB   8.8W / FT.   720 Lumens
✓	LSM-45   4.4W / FT.   370 Lumens		LSMW-60   6.0W / FT.   500 Lumens		LSP-50RGBW   4.4W / FT.   165 Lumens
✓	LSM-55   5.5W / FT.   500+ Lumens				LSP-80RGBW   8.8W / FT.   720 Lumens
✓	LSP-50   4.4W / FT.   380 Lumens				
	LSM-60   6.0W / FT.   500 Lumens				
	LSM-60MX   6.0W / FT.   500 Lumens				
	LSP-80   8.8W / FT.   720 Lumens				
	LSM-70HF   6.6W / FT.   698 Lumens				
	LSM-90HF   7.9W / FT.   930 Lumens				